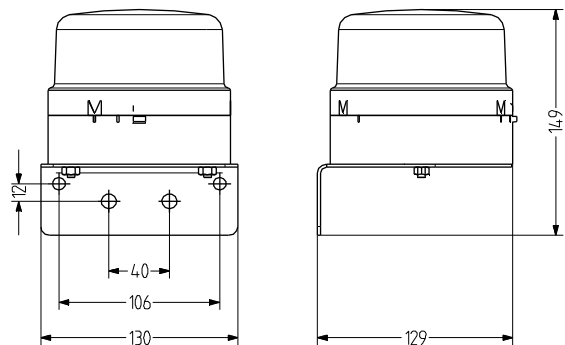
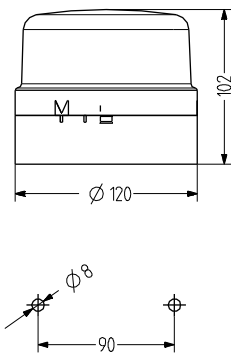


## BLG LED flashing beacon

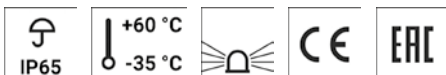
- Ø 120 mm LED flashing beacon
- Good signalling effect from 48 LEDs
- High degree of protection IP 65
- Optional mounting bracket for vertical mounting
- Bayonet locking system with push button
- For general applications
- Attractive price/performance ratio



### TECHNICAL DATA

Housing	Ø 120 mm, ABS black (RAL 9005) or grey (RAL 7035)
Lens	Polycarbonate, ribbed inside orange, red, clear, blue, green or yellow
Type of mounting	horizontal or vertical (with bracket)
Cable entry	bottom: Grommet 5-10 mm
Connection technology	Terminal 2,5 mm <sup>2</sup>
Leakage current	0,003 A (PLC-suitable)
Beacon type	LED flashing beacon

Light source	48 LEDs
Strobe/flash frequency	2 Hz
Duty cycle	100 %
Service life	Light source: 100.000 h
Operating temperature	-35°C/+60°C
Degree of protection	IP65
Weight	270 g



## BLG

## ORDER DATA

Lens colour	Nominal voltage	Voltage range (V)	Nominal current (A)	Housing colour	
				black	grey
orange	24 V AC/DC	17-26 V AC	0,220	807 501 405	807 101 405
		17-32 V DC	0,120		
	48 V AC/DC	35-52 V AC	0,155	807 501 408	807 101 408
		35-62 V DC	0,085		
110-120 V AC	+/- 10 %	0,060	807 501 310	807 101 310	
230-240 V AC	+/- 10 %	0,060	807 501 313	807 101 313	
red	24 V AC/DC	17-26 V AC	0,220	807 502 405	807 102 405
		17-32 V DC	0,120		
	48 V AC/DC	35-52 V AC	0,155	807 502 408	807 102 408
		35-62 V DC	0,085		
110-120 V AC	+/- 10 %	0,060	807 502 310	807 102 310	
230-240 V AC	+/- 10 %	0,060	807 502 313	807 102 313	
clear	24 V AC/DC	17-26 V AC	0,220	807 504 405	807 104 405
		17-32 V DC	0,200		
	48 V AC/DC	35-52 V AC	0,210	807 504 408	807 104 408
		35-62 V DC	0,080		
110-120 V AC	+/- 10 %	0,060	807 504 310	807 104 310	
230-240 V AC	+/- 10 %	0,060	807 504 313	807 104 313	
blue	24 V AC/DC	17-26 V AC	0,220	807 505 405	807 105 405
		17-32 V DC	0,200		
	48 V AC/DC	35-52 V AC	0,210	807 505 408	807 105 408
		35-62 V DC	0,080		
110-120 V AC	+/- 10 %	0,060	807 505 310	807 105 310	
230-240 V AC	+/- 10 %	0,060	807 505 313	807 105 313	
green	24 V AC/DC	17-26 V AC	0,220	807 506 405	807 106 405
		17-32 V DC	0,200		
	48 V AC/DC	35-52 V AC	0,210	807 506 408	807 106 408
		35-62 V DC	0,080		
110-120 V AC	+/- 10 %	0,060	807 506 310	807 106 310	
230-240 V AC	+/- 10 %	0,060	807 506 313	807 106 313	
yellow	24 V AC/DC	17-26 V AC	0,220	807 507 405	807 107 405
		17-32 V DC	0,120		
	48 V AC/DC	35-52 V AC	0,155	807 507 408	807 107 408
		35-62 V DC	0,085		
110-120 V AC	+/- 10 %	0,060	807 507 310	807 107 310	
230-240 V AC	+/- 10 %	0,060	807 507 313	807 107 313	



Flashing



WIG

## ACCESSORIES

Type	Type of accessory	Order number
WIG	Bracket made of metal for wall mounting	822 200 900

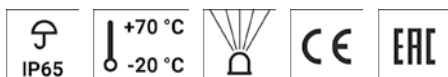
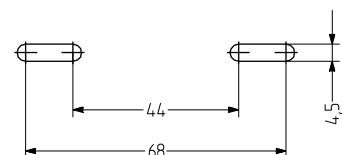
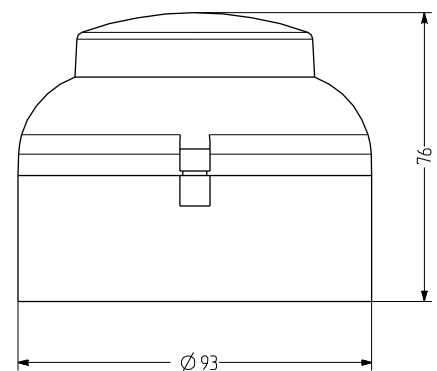
## BC1 LED flashing beacon

- Ø 63 mm (lens) LED flashing beacon
- Degree of protection IP 65
- For horizontal mounting
- Bayonet locking system
- For general applications
- Cost-effective



### TECHNICAL DATA

Housing	Ø 63 mm, Plastic red or white
Lens	ribbed inside orange or red
Type of mounting	horizontal
Cable entry	side cable gland
Connection technology	Screw/plug-in terminal
Beacon type	LED flashing beacon
Light source	LEDs
Strobe/flash frequency	1 Hz
Duty cycle	100 %
Service life	Light source: >50.000 h
Operating temperature	-20°C/+70°C
Degree of protection	IP65



# BC1

## ORDER DATA

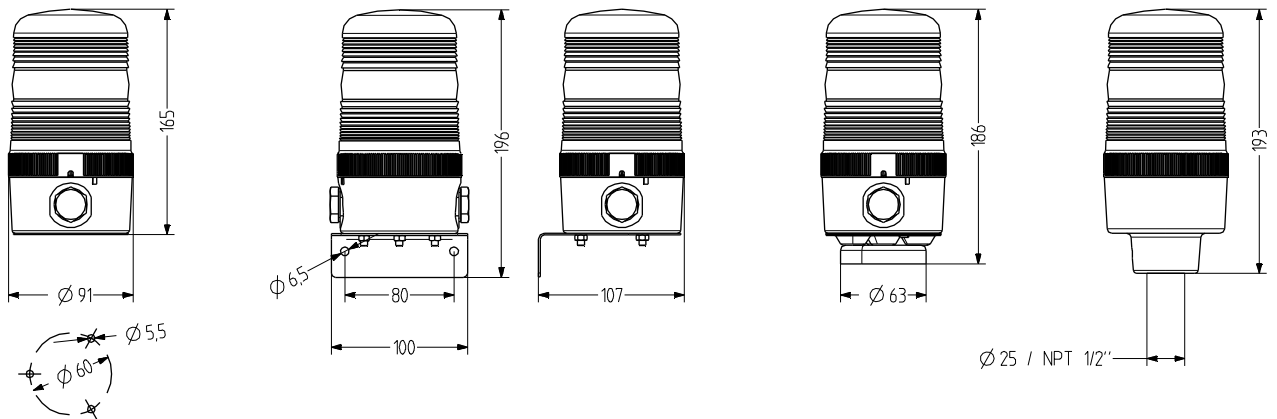
Lens colour	Nominal voltage	Voltage range (V)	Nominal current (A)	Housing colour	
				white	red
orange	24 V DC	20-35	0,005	C112 221 005	C112 621 005
red	24 V DC	20-35	0,005	C112 222 005	C112 622 005



Flashing

## MBS Flashing beacon

- Ø 90 mm flashing beacon
- Distinct fresnel lens pattern for a good signalling effect
- Modular design – easy to mount/service
- 4 types of mounting
- 20 W halogen bulb included
- High degree of protection IP 65
- For industrial and general applications
- Captive safety screw for lens



### TECHNICAL DATA

Housing	Ø 90 mm, Polycarbonate black
Lens	Polycarbonate, ribbed (Fresnel) orange, red, clear, blue, green or yellow
Type of mounting	horizontal, vertical, Tube mounting, Magnetic mounting or upside down
Cable entry	side: 2× M20 with blind plugs (optional cable gland 5-12 mm), back: Grommet 5-7 mm
Connection technology	Terminal 2,5 mm <sup>2</sup>
Leakage current	0,003 A (PLC-suitable)

Beacon type	Flashing beacon
Light source	Halogen bulb
Luminous intensity	20 W
Strobe/flash frequency	1 Hz
Duty cycle	100 %
Service life	Light source: 1.500 - 5.000 h
Operating temperature	-25°C/+60°C
Degree of protection	IP65 & UL Type 4/4x/13
Weight	270 g



# MBS

## ORDER DATA

Lens colour	Nominal voltage	Voltage range [V]	Nominal current [A]	Type of mounting		
				horizontal	Tube Ø 25 mm	Tube NPT 1/2"
orange	12 V AC/DC	+/- 10 %	1,700	837 101 404	837 301 404	837 311 404
	24 V AC/DC	+/- 10 %	0,830	837 101 405	837 301 405	837 311 405
	110-120 V AC	+/- 10 %	0,170	837 101 310	837 301 310	837 311 310
	230-240 V AC	+/- 10 %	0,085	837 101 313	837 301 313	837 311 313
red	12 V AC/DC	+/- 10 %	1,700	837 102 404	837 302 404	837 312 404
	24 V AC/DC	+/- 10 %	0,830	837 102 405	837 302 405	837 312 405
	110-120 V AC	+/- 10 %	0,170	837 102 310	837 302 310	837 312 310
	230-240 V AC	+/- 10 %	0,085	837 102 313	837 302 313	837 312 313
clear	12 V AC/DC	+/- 10 %	1,700	837 104 404	837 304 404	837 314 404
	24 V AC/DC	+/- 10 %	0,830	837 104 405	837 304 405	837 314 405
	110-120 V AC	+/- 10 %	0,170	837 104 310	837 304 310	837 314 310
	230-240 V AC	+/- 10 %	0,085	837 104 313	837 304 313	837 314 313
blue	12 V AC/DC	+/- 10 %	1,700	837 105 404	837 305 404	837 315 404
	24 V AC/DC	+/- 10 %	0,830	837 105 405	837 305 405	837 315 405
	110-120 V AC	+/- 10 %	0,170	837 105 310	837 305 310	837 315 310
	230-240 V AC	+/- 10 %	0,085	837 105 313	837 305 313	837 315 313
green	12 V AC/DC	+/- 10 %	1,700	837 106 404	837 306 404	837 316 404
	24 V AC/DC	+/- 10 %	0,830	837 106 405	837 306 405	837 316 405
	110-120 V AC	+/- 10 %	0,170	837 106 310	837 306 310	837 316 310
	230-240 V AC	+/- 10 %	0,085	837 106 313	837 306 313	837 316 313
yellow	12 V AC/DC	+/- 10 %	1,700	837 107 404	837 307 404	837 317 404
	24 V AC/DC	+/- 10 %	0,830	837 107 405	837 307 405	837 317 405
	110-120 V AC	+/- 10 %	0,170	837 107 310	837 307 310	837 317 310
	230-240 V AC	+/- 10 %	0,085	837 107 313	837 307 313	837 317 313



Flashing



WMS



MMR



MSR



MGS



AKV



MBK



MQS

## ACCESSORIES

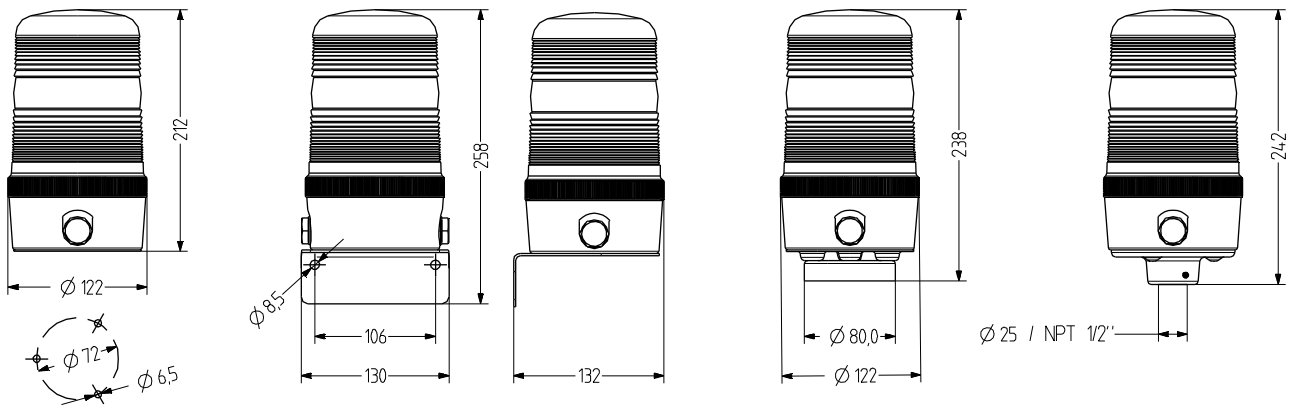
Type	Type of accessory	Tube length	Weight	Order number
WMS	Metal bracket for wall mounting		160 g	817 200 900
MMR	Tube mounting Aluminium with plastic foot	50 mm		698 806 007
		100 mm		698 806 008
		250 mm		698 806 009
		400 mm		698 806 010
MSR	Tube mounting Stainless steel with die-cast zinc foot, black (powder-coated)	50 mm		698 806 021
		100 mm		698 806 022
		250 mm		698 806 023
		400 mm		698 806 024
MGS	Magnetic fixing		340 g	817 203 900
AKV	Cable gland M20x1,5			698 800 026
MBK	Earthing kit for UL-compliant installation			819 201 900
MQS	Mounting plate for UL-compliant installation			817 202 900

## REPLACEMENT PARTS

Type	Type of accessory	Nominal voltage	Output	Order number
HL21	Halogen bulb	12 V	20,000 W	890 020 904
HL22	Halogen bulb	24 V	20,000 W	890 020 905
HL25	Halogen bulb	110-120 V	20,000 W	890 020 910
HL26	Halogen bulb	230-240 V	20,000 W	890 020 913

## MBM Flashing beacon

- Ø 120 mm flashing beacon
- Distinct fresnel lens pattern for a good signalling effect
- Modular design – easy to mount/service
- 4 types of mounting
- 35 W halogen bulb included
- High degree of protection IP 65
- For industrial and general applications
- Captive safety screw for lens



### TECHNICAL DATA

Housing	Ø 120 mm, Polycarbonate black
Lens	Polycarbonate, ribbed (Fresnel) orange, red, clear, blue, green or yellow
Type of mounting	horizontal, vertical, Tube mounting, Magnetic mounting or upside down
Cable entry	side: 2× M20 with blind plugs (optional cable gland 5-12 mm), back: Grommet 5-7 mm
Connection technology	Terminal 2,5 mm <sup>2</sup>
Leakage current	0,003 A (PLC-suitable)

Beacon type	Flashing beacon
Light source	Halogen bulb
Luminous intensity	35 W
Strobe/flash frequency	1 Hz
Duty cycle	100 %
Service life	Light source: 1.500 - 5.000 h
Operating temperature	-25°C/+60°C
Degree of protection	IP65 & UL Type 4/4x/13
Weight	500 g



# MBM

## ORDER DATA

Lens colour	Nominal voltage	Voltage range [V]	Nominal current [A]	Type of mounting		
				horizontal	Tube Ø 25 mm	Tube NPT 1/2"
orange	12 V AC/DC	+/- 10 %	2,900	838 101 404	838 301 404	838 311 404
	24 V AC/DC	+/- 10 %	1,500	838 101 405	838 301 405	838 311 405
	110-120 V AC	+/- 10 %	0,290	838 101 310	838 301 310	838 311 310
	230-240 V AC	+/- 10 %	0,150	838 101 313	838 301 313	838 311 313
red	12 V AC/DC	+/- 10 %	2,900	838 102 404	838 302 404	838 312 404
	24 V AC/DC	+/- 10 %	1,500	838 102 405	838 302 405	838 312 405
	110-120 V AC	+/- 10 %	0,290	838 102 310	838 302 310	838 312 310
	230-240 V AC	+/- 10 %	0,150	838 102 313	838 302 313	838 312 313
clear	12 V AC/DC	+/- 10 %	2,900	838 104 404	838 304 404	838 314 404
	24 V AC/DC	+/- 10 %	1,500	838 104 405	838 304 405	838 314 405
	110-120 V AC	+/- 10 %	0,290	838 104 310	838 304 310	838 314 310
	230-240 V AC	+/- 10 %	0,150	838 104 313	838 304 313	838 314 313
blue	12 V AC/DC	+/- 10 %	2,900	838 105 404	838 305 404	838 315 404
	24 V AC/DC	+/- 10 %	1,500	838 105 405	838 305 405	838 315 405
	110-120 V AC	+/- 10 %	0,290	838 105 310	838 305 310	838 315 310
	230-240 V AC	+/- 10 %	0,150	838 105 313	838 305 313	838 315 313
green	12 V AC/DC	+/- 10 %	2,900	838 106 404	838 306 404	838 316 404
	24 V AC/DC	+/- 10 %	1,500	838 106 405	838 306 405	838 316 405
	110-120 V AC	+/- 10 %	0,290	838 106 310	838 306 310	838 316 310
	230-240 V AC	+/- 10 %	0,150	838 106 313	838 306 313	838 316 313
yellow	12 V AC/DC	+/- 10 %	2,900	838 107 404	838 307 404	838 317 404
	24 V AC/DC	+/- 10 %	1,500	838 107 405	838 307 405	838 317 405
	110-120 V AC	+/- 10 %	0,290	838 107 310	838 307 310	838 317 310
	230-240 V AC	+/- 10 %	0,150	838 107 313	838 307 313	838 317 313



Flashing



WMM



MMR



MSR



MGM



AKV



MBK



MQM

## ACCESSORIES

Type	Type of accessory	Tube length	Weight	Order number
WMM	Metal bracket for wall mounting		340 g	818 200 900
MMR	Tube mounting Aluminium with plastic foot	50 mm		698 806 007
		100 mm		698 806 008
		250 mm		698 806 009
		400 mm		698 806 010
MSR	Tube mounting Stainless steel with die-cast zinc foot, black (powder-coated)	50 mm		698 806 021
		100 mm		698 806 022
		250 mm		698 806 023
		400 mm		698 806 024
MGM	Magnetic fixing		600 g	818 203 900
AKV	Cable gland M20×1,5			698 800 026
MBK	Earthing kit for UL-compliant installation			819 201 900
MQM	Mounting plate for UL-compliant installation			818 202 900

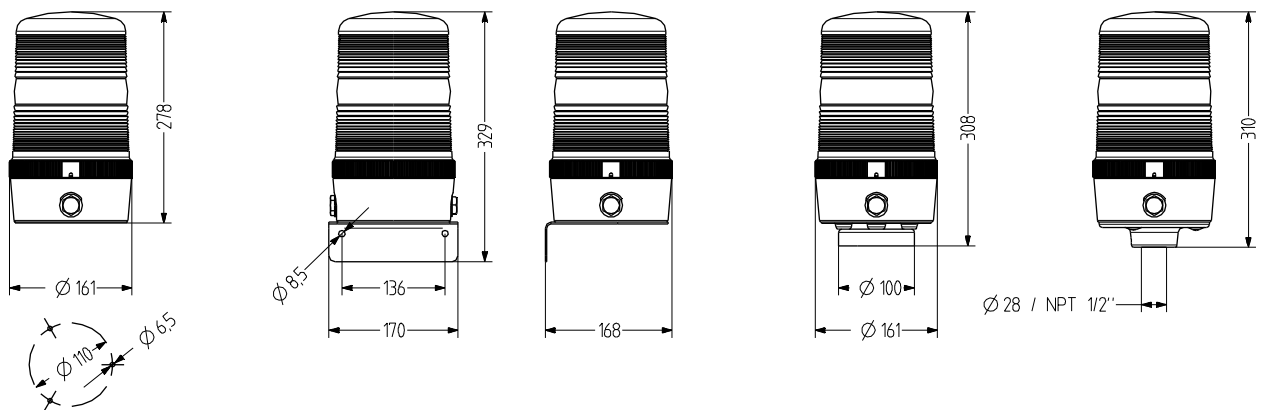
## REPLACEMENT PARTS

Type	Type of accessory	Nominal voltage	Output	Order number
HL31	Halogen bulb	12 V	35,000 W	890 035 904
HL32	Halogen bulb	24 V	35,000 W	890 035 905
HL35	Halogen bulb	110-120 V	35,000 W	890 035 910
HL36	Halogen bulb	230-240 V	35,000 W	890 035 913



## MBL Flashing beacon

- Ø 160 mm flashing beacon
- Distinct fresnel lens pattern for a good signalling effect
- Modular design – easy to mount/service
- 4 types of mounting
- 50 W halogen bulb included
- High degree of protection IP 65
- For industrial and general applications
- Captive safety screw for lens v



### TECHNICAL DATA

Housing	Ø 160 mm, Polycarbonate black
Lens	Polycarbonate, ribbed (Fresnel) orange, red, clear, blue, green or yellow
Type of mounting	horizontal, vertical, Tube mounting, Magnetic mounting or upside down
Cable entry	side: 2× M20 with blind plugs (optional cable gland 5-12 mm), back: Grommet 5-7 mm
Connection technology	Terminal 2,5 mm <sup>2</sup>
Leakage current	0,003 A (PLC-suitable)

Beacon type	Flashing beacon
Light source	Halogen bulb
Luminous intensity	50 W
Strobe/flash frequency	1 Hz
Duty cycle	100 %
Service life	Light source: 1.500 - 5.000 h
Operating temperature	-25°C/+60°C
Degree of protection	IP65 & UL Type 4/4x/13
Weight	820 g



# MBL

## ORDER DATA

Lens colour	Nominal voltage	Voltage range [V]	Nominal current [A]	Type of mounting		
				horizontal	Tube Ø 30 mm	Tube NPT 1"
orange	12 V AC/DC	+/- 10 %	4,000	839 101 404	839 301 404	839 311 404
	24 V AC/DC	+/- 10 %	2,100	839 101 405	839 301 405	839 311 405
	110-120 V AC	+/- 10 %	0,420	839 101 310	839 301 310	839 311 310
	230-240 V AC	+/- 10 %	0,210	839 101 313	839 301 313	839 311 313
red	12 V AC/DC	+/- 10 %	4,000	839 102 404	839 302 404	839 312 404
	24 V AC/DC	+/- 10 %	2,100	839 102 405	839 302 405	839 312 405
	110-120 V AC	+/- 10 %	0,420	839 102 310	839 302 310	839 312 310
	230-240 V AC	+/- 10 %	0,210	839 102 313	839 302 313	839 312 313
clear	12 V AC/DC	+/- 10 %	4,000	839 104 404	839 304 404	839 314 404
	24 V AC/DC	+/- 10 %	2,100	839 104 405	839 304 405	839 314 405
	110-120 V AC	+/- 10 %	0,420	839 104 310	839 304 310	839 314 310
	230-240 V AC	+/- 10 %	0,210	839 104 313	839 304 313	839 314 313
blue	12 V AC/DC	+/- 10 %	4,000	839 105 404	839 305 404	839 315 404
	24 V AC/DC	+/- 10 %	2,100	839 105 405	839 305 405	839 315 405
	110-120 V AC	+/- 10 %	0,420	839 105 310	839 305 310	839 315 310
	230-240 V AC	+/- 10 %	0,210	839 105 313	839 305 313	839 315 313
green	12 V AC/DC	+/- 10 %	4,000	839 106 404	839 306 404	839 316 404
	24 V AC/DC	+/- 10 %	2,100	839 106 405	839 306 405	839 316 405
	110-120 V AC	+/- 10 %	0,420	839 106 310	839 306 310	839 316 310
	230-240 V AC	+/- 10 %	0,210	839 106 313	839 306 313	839 316 313
yellow	12 V AC/DC	+/- 10 %	4,000	839 107 404	839 307 404	839 317 404
	24 V AC/DC	+/- 10 %	2,100	839 107 405	839 307 405	839 317 405
	110-120 V AC	+/- 10 %	0,420	839 107 310	839 307 310	839 317 310
	230-240 V AC	+/- 10 %	0,210	839 107 313	839 307 313	839 317 313



Flashing



WML



MGL



AKV



MBK



MQL

## ACCESSORIES

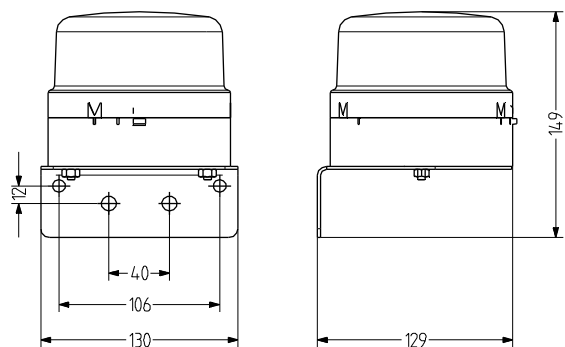
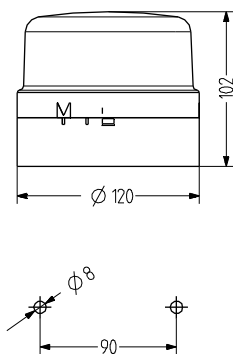
Type	Type of accessory	Weight	Order number
WML	Metal bracket for wall mounting	510 g	819 200 900
MGL	Magnetic fixing	1,03 kg	819 203 900
AKV	Cable gland M20x1,5		698 800 026
MBK	Earthing kit for UL-compliant installation		819 201 900
MQL	Mounting plate for UL-compliant installation		819 202 900

## REPLACEMENT PARTS

Type	Type of accessory	Nominal voltage	Output	Order number
HL51	Halogen bulb	12 V	50,000 W	890 050 904
HL52	Halogen bulb	24 V	50,000 W	890 050 905
HL55	Halogen bulb	110-120 V	50,000 W	890 050 910
HL56	Halogen bulb	230-240 V	50,000 W	890 050 913

## BKG Flashing beacon

- Ø 120 mm flashing beacon
- Conventional lighting technology,  
25 W incandescent bulb
- High degree of protection IP 65
- Optional mounting bracket for vertical mounting
- Bayonet locking system with push button
- For general applications
- Attractive price/performance ratio



### TECHNICAL DATA

Housing	Ø 120 mm, ABS black (RAL 9005) or grey (RAL 7035)
Lens	Polycarbonate, ribbed inside orange, red, clear, blue, green or yellow
Type of mounting	horizontal or vertical (with bracket)
Cable entry	bottom: Grommet 5–10 mm
Connection technology	Terminal 2,5 mm <sup>2</sup>
Leakage current	0,003 A (PLC-suitable)

Beacon type	Flashing beacon
Light source	Incandescent bulb
Luminous intensity	25 W
Strobe/flash frequency	2 Hz
Duty cycle	100 %
Operating temperature	-30°C/+60°C
Degree of protection	IP65
Weight	250 g



# BKG

## ORDER DATA

Lens colour	Nominal voltage	Voltage range (V)	Nominal current (A)	Housing colour	
				grey	black
orange	12-48 V AC/DC	+/- 10 %	0,700	832 101 408	832 501 408
	230-240 V AC	+/- 10 %	0,100	832 101 313	832 501 313
red	12-48 V AC/DC	+/- 10 %	0,700	832 102 408	832 502 408
	230-240 V AC	+/- 10 %	0,100	832 102 313	832 502 313
clear	12-48 V AC/DC	+/- 10 %	0,700	832 104 408	832 504 408
	230-240 V AC	+/- 10 %	0,100	832 104 313	832 504 313
blue	12-48 V AC/DC	+/- 10 %	0,700	832 105 408	832 505 408
	230-240 V AC	+/- 10 %	0,100	832 105 313	832 505 313
green	12-48 V AC/DC	+/- 10 %	0,700	832 106 408	832 506 408
	230-240 V AC	+/- 10 %	0,100	832 106 313	832 506 313
yellow	12-48 V AC/DC	+/- 10 %	0,700	832 107 408	832 507 408
	230-240 V AC	+/- 10 %	0,100	832 107 313	832 507 313



Incandescent bulb

## ORDER DATA - LIGHT SOURCE

Type	Type of accessory	Nominal voltage	Nominal current (A)	Output	Order number
GL21	Incandescent bulb	12 V	2,080	25,000 W	890 025 904
GL22	Incandescent bulb	24 V	1,040	25,000 W	890 025 905
GL23	Incandescent bulb	48 V	0,520	25,000 W	890 025 908
GL24	Incandescent bulb	60 V	0,415	25,000 W	890 025 909
GL25	Incandescent bulb	110-120 V	0,208	25,000 W	890 025 910
GL26	Incandescent bulb	230-240 V		25,000 W	890 025 913



WIG

## ACCESSORIES

Type	Type of accessory	Order number
WIG	Bracket made of metal for wall mounting	822 200 900



Flashing