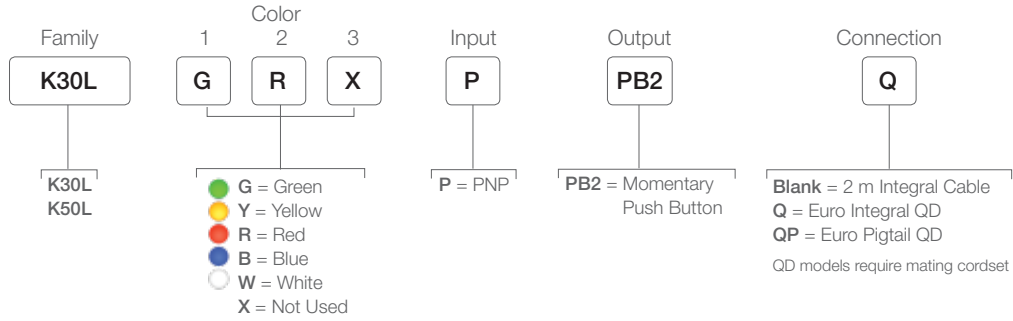




K50L and K30L Illuminated Push Buttons

- Three sourcing inputs control the green, yellow and red indicator lights
- Ideal for use in abusive environments, featuring rugged, fully encapsulated construction
- Cabled and Euro Quick Disconnect models available
- Available in momentary push button output



Supply Voltage

K30L: 10 to 30 V dc
K50L: 12 to 30 V dc

Construction

Base: Polycarbonate
Translucent dome: Polycarbonate
Push button: Thermoplastic

Environmental Rating

IEC IP65

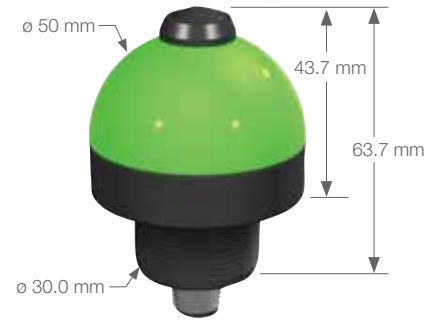
Operating Temperature

-40 to +50 °C (-40 to +122 °F)

Certifications



K30 Push Models



K50 Push Models



SMBCK30
use with K30L
on 28 mm pipe



SMB22A
use with K30L



SMB30A
use with K50L

Additional accessories are available at bannerengineering.com



4-Pin M12/Euro-Style

For use with K30 models

Straight connector models listed;
for right-angle models, add RA
to the end of model number
(example, MQDC-406RA)

MQDC-406
2 m (6.5')
MQDC-415
5 m (15')
MQDC-430
9 m (30')

5-Pin M12/ Euro-Style

Straight connector models listed;
for right-angle models, add RA
to the end of model number
(example, MQDC1-506RA)

MQDC1-506
2 m (6.5')
MQDC1-515
5 m (15')
MQDC1-530
9 m (30')

8-Pin M12/Euro-Style

For use with 3 color F2 models.

Straight connector models listed;
for right-angle models, add RA
to the end of model number
(example, MQDC2S-806RA)

MQDC2S-806
2 m (6.5')
MQDC2S-815
5 m (15')
MQDC2S-830
9 m (30')