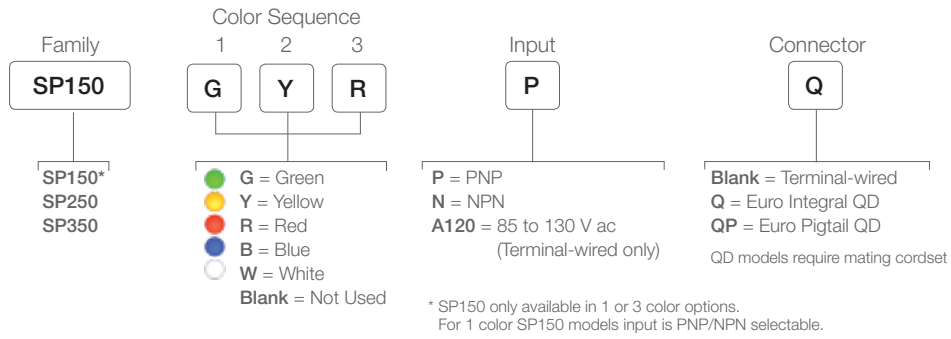




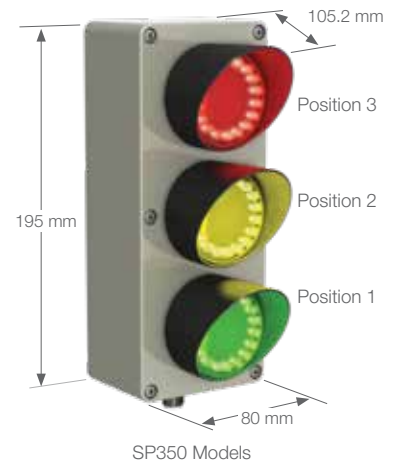
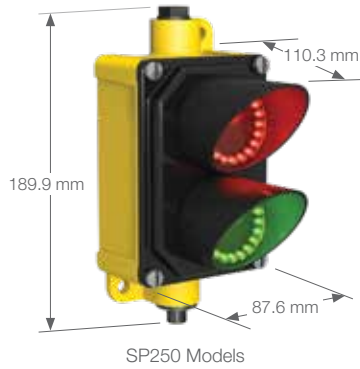
## SP Series Signal Lights

---

- Intense levels of light output for outdoor applications
- Controlled field of view for signage and narrow lane use
- Rugged, cost-effective and easy-to-install
- Compact devices are completely self-contained — no controller needed
- Immune to EMI and RFI interference
- Choose NPN or PNP input, and 15 to 30 V dc or 85-130 V ac operation, depending on model



<b>Supply Voltage</b>	15 to 30 V dc 85 to 130 V ac
<b>Construction</b>	Flat or DIN-mount polycarbonate
<b>Environmental Rating</b>	SP150: IEC IP67 SP250: IEC IP65 SP350: IEC IP65
<b>Operating Conditions</b>	-40 to +50 °C (-40 to +122 °F)
<b>Certifications</b>	<b>CE</b>



**SMBDX80DIN**  
for mounting to 35 mm DIN Rail



SMBSP350 (Tabs only)

- SOP-E12-150A (150 mm)
- SOP-E12-300A (300 mm)
- SOP-E12-900A (900 mm)
- Black anodized aluminum pipe
- SOP-E12-150AC (150 mm)
- SOP-E12-300AC (300 mm)
- SOP-E12-900AC (900 mm)
- Clear anodized aluminum pipe
- SOP-E12-150SS (150 mm)
- SOP-E12-300SS (300 mm)
- SOP-E12-900SS (900 mm)
- 304 stainless steel pipe
- SA-E12M30
- Black acetal mounting base



**4-Pin M12/Euro-Style**  
straight connector models listed;  
for right-angle models, add RA  
to the end of model number  
(example, MQDC-406RA)

- MQDC-406  
2 m (6.5')
- MQDC-415  
5 m (15')
- MQDC-430  
9 m (30')

Additional accessories are available at  
[bannerengineering.com](http://bannerengineering.com)