

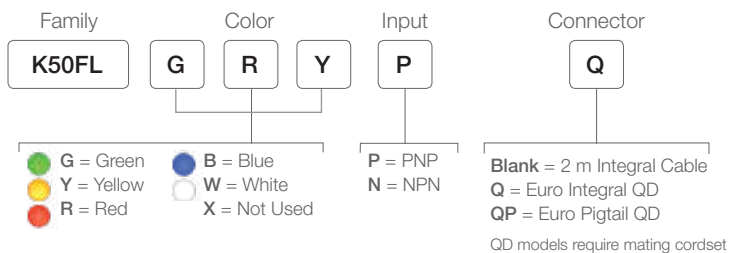


## K50FL Flat-Mount Domed Indicators

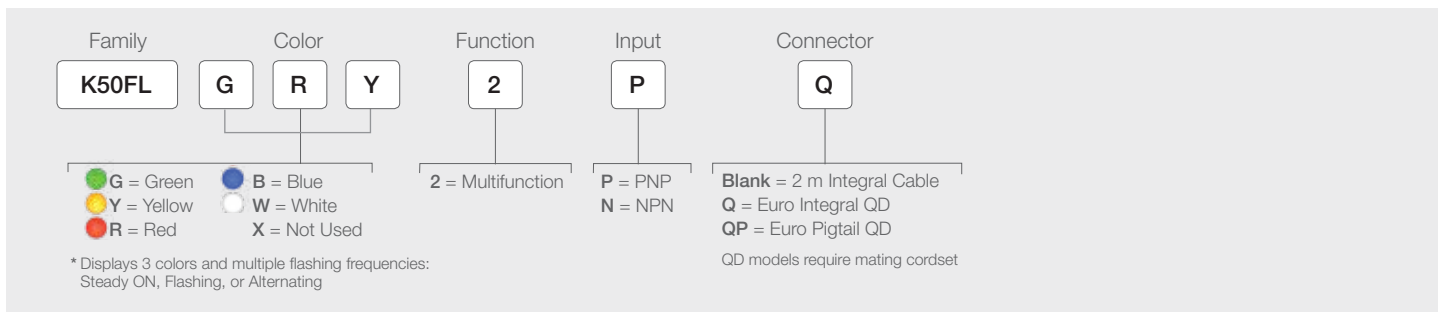
---

- Rugged, cost-effective and easy-to-install indicators
- Low power consumption LED design will provide years of reliable service
- Fully encapsulated IP67, IP69K
- Illuminated dome provides easy-to-see operator guidance and indication of equipment status
- Compact devices are completely self-contained — no controller needed
- 18 to 30 V dc operation
- Displays up to five colors
- Immune to EMI and RFI interference

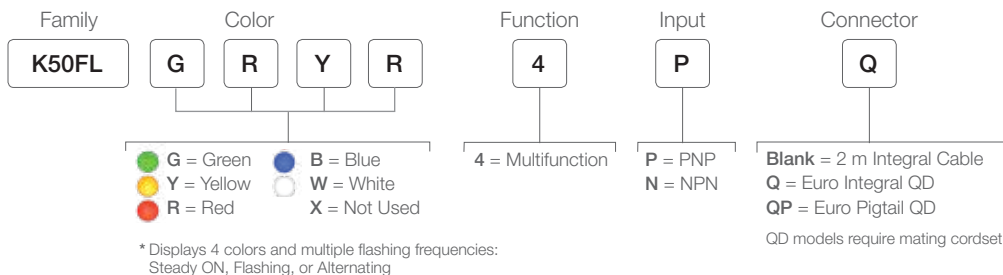
## One-, Two- or Three-Color, 18 to 30 V dc



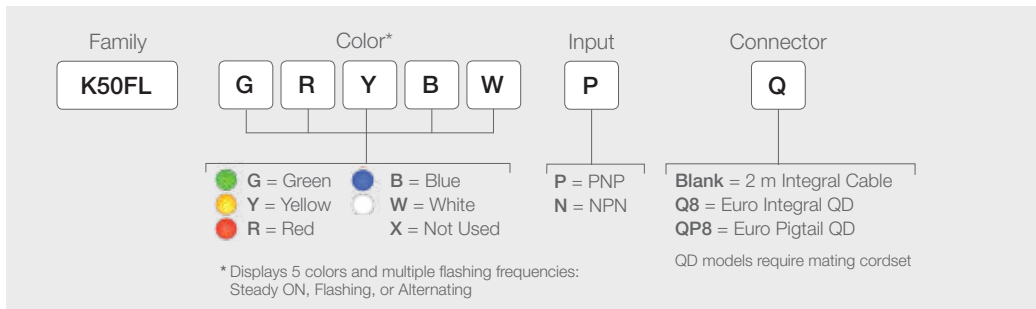
## Three-Color Multifunction



## Four-Color Multifunction



## Five-Color Multifunction



Supply Voltage	18 to 30 V dc
Construction	Base: ABS Dome: Polycarbonate
Environmental Rating	IP67, IP69K
Operating Temperature	-40 to +50 °C (-40 to +122 °F)
Certifications	<b>CE</b>

**4-Pin M12/Euro-Style**  
Straight connector models listed; for right-angle models, add RA to the end of model number (example, MQDC-406RA)

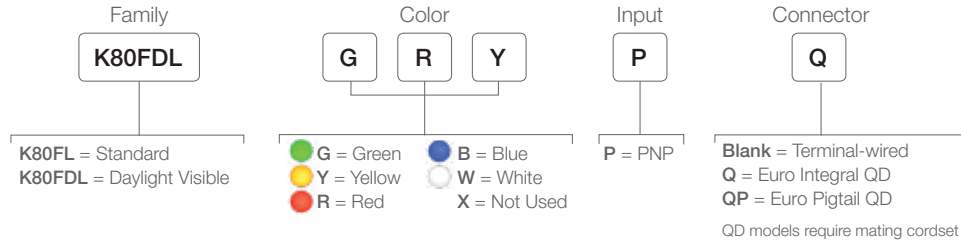
4-Pin	5-Pin	8-Pin
<b>MQDC-406</b> 2 m (6.5')	<b>MQDC1-506</b> 2 m (6.5')	<b>MQDC2-806</b> 2 m (6.5')
<b>MQDC-415</b> 5 m (15')	<b>MQDC1-515</b> 5 m (15')	<b>MQDC2-815</b> 5 m (15')
<b>MQDC-430</b> 9 m (30')	<b>MQDC1-530</b> 9 m (30')	<b>MQDC2-830</b> 9 m (30')



## K80FL and K80FDL Flat-Mount Indicators

---

- Selection of solid or flashing light operation with internal DIP Switch
- Multicolor, single segment
- Bright, even LED light gray when OFF
- Unique shape for use in various indication applications
- Sealed to IP67 for durability in many environments
- Large, flat face allows for clear indication from greater distances
- Transparent self-adhesive cover labels can be printed for easy identification
- Daylight visible models available



Supply Voltage	12 to 30 V dc
Construction	Base: Polycarbonate Translucent Face: Acrylic
Environmental Rating	IEC IP67
Operating Conditions	-40 to +50 °C (-40 to +122 °F)
Certifications	<b>CE</b>



**SMBDX80DIN**  
for mounting to 35 mm DIN Rail



**4-Pin M12/Euro-Style**  
 Straight connector models listed;  
 for right-angle models, add RA  
 to the end of model number  
 (example, MQDC-406RA)

- MQDC-406**  
2 m (6.5')
- MQDC-415**  
5 m (15')
- MQDC-430**  
9 m (30')

Additional accessories are available at  
[bannerengineering.com](http://bannerengineering.com)