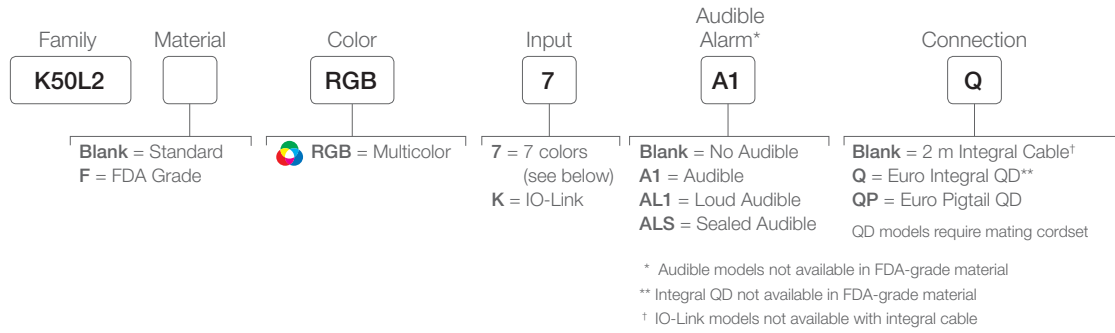




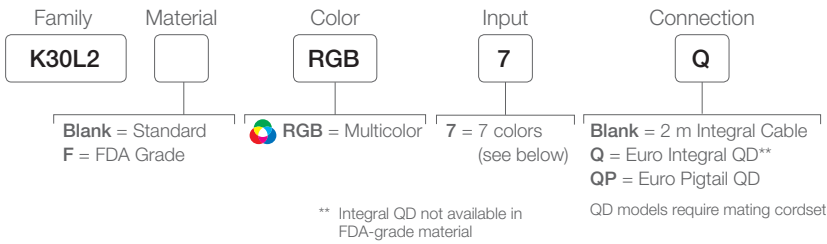
K50L2 and K30L2 Domed Indicators

- Bright, even indication in red, green, blue, yellow, cyan, magenta, and white
- Rugged IP66, IP67, and IP69K polycarbonate housing protects against impact and withstands high-pressure, high-temperature washdown to ensure reliable performance in challenging environments
- Models constructed from FDA-grade materials available for use in food and beverage applications
- Simple wiring plan enables quick installation and allows users to consolidate controller outputs
- An optional audible alarm provides a distinct, loud notification of status (K50L2 models only)
- IO-Link enables full control of color, flashing, dimming, and advanced animations like rotation, strobing, 2-color display, 2-color rotation, 2-color flashing, and chase

K50L2



K30L2



Seven colors now available in one unit



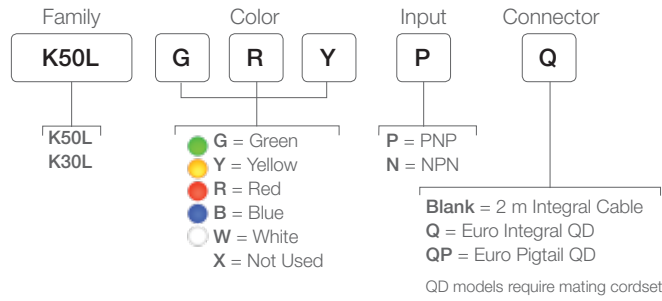
	Input 1	Input 2	Input 3
Red	ON		
Green		ON	
Blue			ON
Yellow	ON	ON	
Cyan		ON	ON
Magenta	ON		ON
White	ON	ON	ON



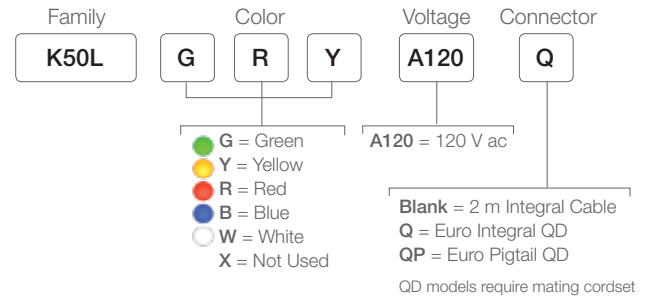
K50L and K30L Domed Indicators

- Rugged, cost-effective and easy-to-install indicators
- Illuminated dome provides easy-to-see operator guidance and indication of equipment status
- Compact devices are completely self-contained — no controller needed
- Displays up to five colors
- Immune to EMI and RFI interference

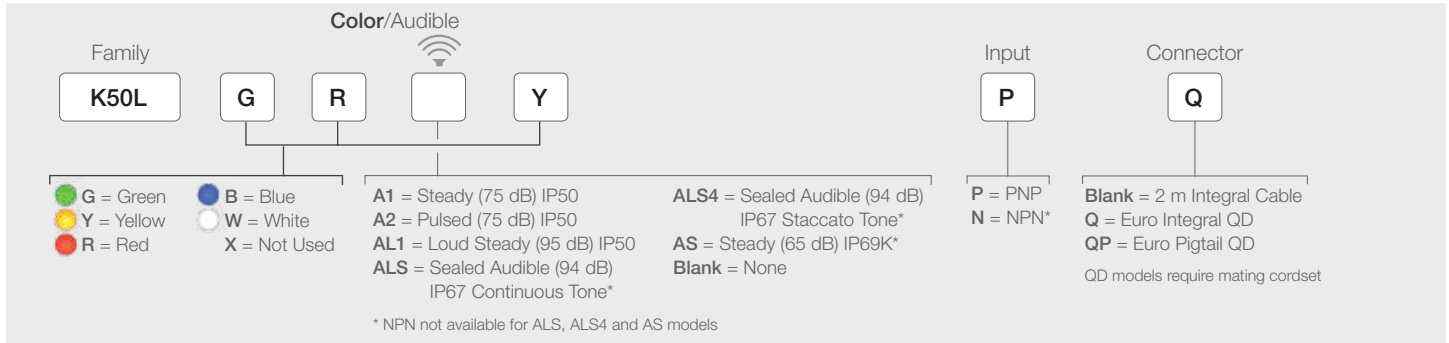
One-, Two- or Three-Color Indicators 18 to 30 V dc



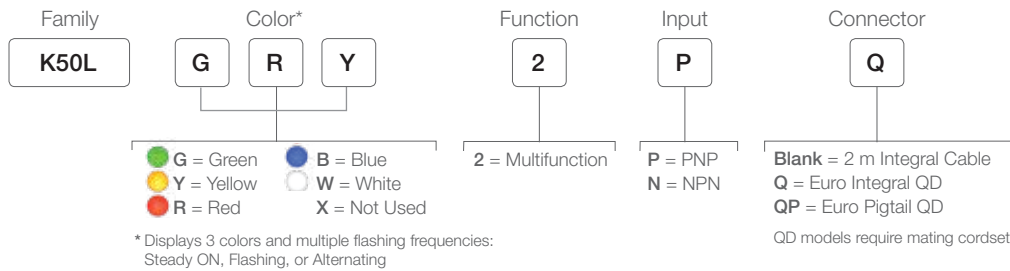
One-, Two- or Three-Color Indicators 85 to 120 V ac



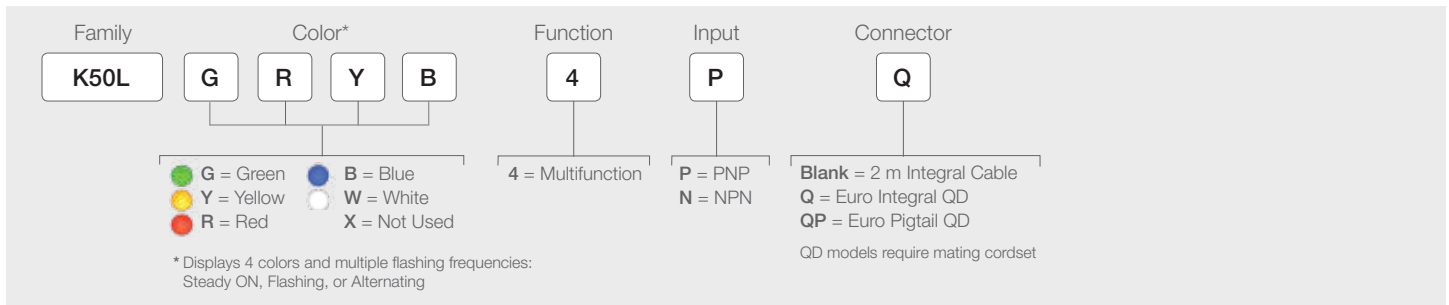
One-, Two- or Three-Color Audible Indicators



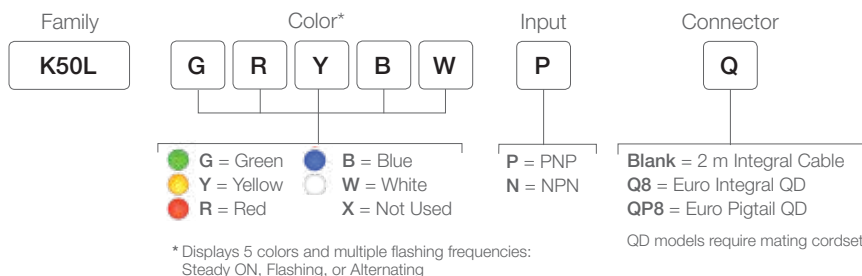
Three-Color Multifunction Indicators







Four-Color Multifunction Indicators

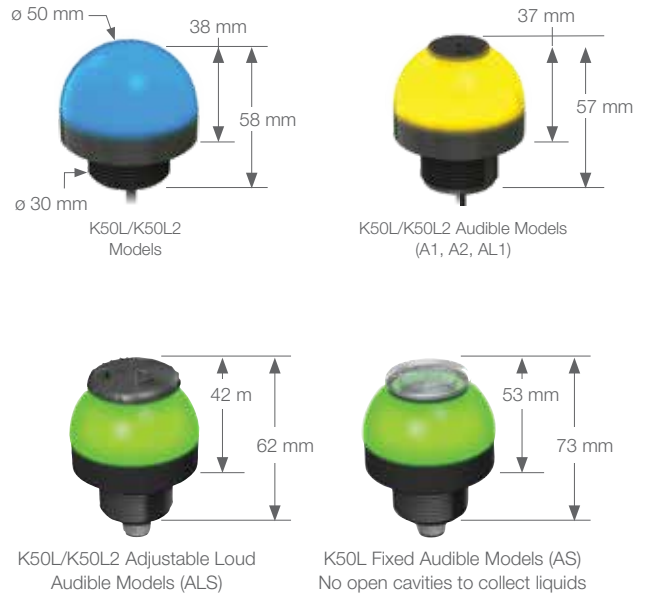


Five-Color Multifunction Indicators





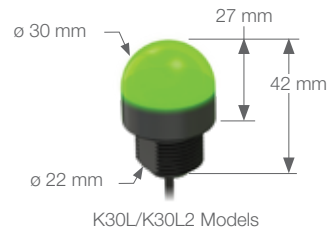
K50L/K30L Specifications

Supply Voltage	K50L Sealed Audible: 12 to 30 V dc K50L AC: 85 to 130 V ac K50L standard: 18 to 30 V dc K30L: 10 to 30 V dc
Construction	Base: polycarbonate Translucent Dome: polycarbonate
Environmental Rating	Standard Models: IEC IP67 Integral QD models meet DIN 40050 (IP69K) Standard Audible Models (A1, A2, AL1): IP50 Fixed Audible Sealed Models (AS): IEC IP67/ IP69K per DIN 40050 Adjustable Loud Audible Sealed Models (ALS, ALS4): IEC IP67/ IP69K per DIN 40050
Operating Temperature	Sealed Audible: -20 to +50 °C (-4 to +122 °F) All Other Models: -40 to +50 °C (-40 to +122 °F)
Certifications	  Audible:  



K50L2/K30L2 Specifications

Power	K50L2: 10 to 30 V dc; 220mA Max. at 10 V dc; 100mA Max. at 30 V dc K30L2: 10 to 30 V dc; 60mA Max. at 10 V dc; 30mA Max. at 30 V dc
Operating Conditions	-40 to +50 °C (-40 to +122 °F)
Construction	Base: polycarbonate Translucent Dome: polycarbonate
Environmental Rating	K50L2: Standard: IEC IP66/IP67/IP69K Standard Audible: IEC IP50 Sealed Audible: IEC IP66/IP67/IP69K K30L2: IEC IP66/IP67/IP69K
Certifications	 



Accessories



SMB30A



SMB30SC



SMB30FA



SMB30FVK



SMB22A



SMBAMS22P



SMBAMS22RA



SA-FFB12
Black flush foldable
bracket for use with
elevated mount systems



SA-FFB12C
Gray flush foldable
bracket for use with
elevated mount systems

see page 61 for additional information on this bracket

Cordsets for DC Models



4-Pin M12/Euro-Style

use with 3-color models

Straight connector models listed; for right-angle models, add RA to the end of model number (example, MQDC-406RA)

- MQDC-406**
2 m (6.5')
- MQDC-415**
5 m (15')
- MQDC-430**
9 m (30')

5-Pin M12/Euro-Style

use with 4-color models

Straight connector models listed; for right-angle models, add RA to the end of model number (example, MQDC1-506RA)

- MQDC1-506**
2 m (6.5')
- MQDC1-515**
5 m (15')
- MQDC1-530**
9 m (30')

8-Pin M12/Euro-Style

use with 5+ -color models

Straight connector models listed; for right-angle models, add RA to the end of model number (example, MQDC2S-806RA)

- MQDC2S-806**
2 m (6.5')
- MQDC2S-815**
5 m (15')
- MQDC2S-830**
9 m (30')

Cordsets for AC Models



4-Pin Micro-Style

Straight connector models listed; for right-angle models, add RA to the end of model number (example, MQAC2-406RA)

- MQAC2-406**
2 m (6.5')
- MQAC2-415**
5 m (15')
- MQAC2-430**
9 m (30')

5-Pin Micro-Style

Straight connector models

- MQAC2-506**
2 m (6.5')
- MQAC2-515**
5 m (15')
- MQAC2-530**
9 m (30')

Elevated Mount System



Additional accessories are available at bannerengineering.com