

dSD Explosion-proof LED signal beacon

- Certified for gas and dust hazardous areas of zone 1, 2, 21, 22
- Flame-proof enclosure "d"
- Terminal connection chamber "increased safety e"
- Housing made of copper-free seawater-resistant aluminium, hardened glass lens
- 5 LED colours, very good signalling effect
- All models with protection cage made of stainless steel

II 2 G Ex d e IIC T5, T6 Gb

II 2 D Ex tb IIIC T95 °C, T80 °C Db

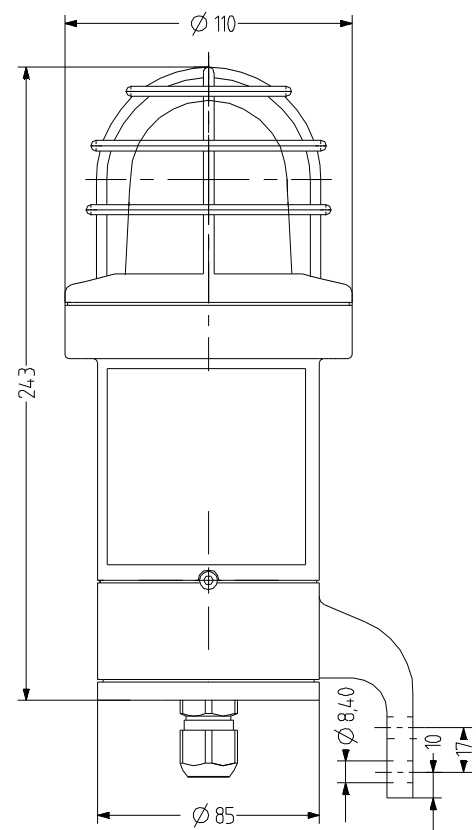
-55 °C ≤ Ta ≤ +55 °C

Zone 1, 2, 21, 22



TECHNICAL DATA

Housing	Ø 110 mm, seawater-resistant aluminium, surface painted or powder-coated yellow/blue
Lens	tempered borosilicate glass,
Type of mounting	Bracket for wall mounting, any
Cable entry	Cable gland M20 × 1.5, sealing plug M20 × 1.5
Connection technology	1.5 mm ² fine wire and 2.5 mm ² single wire
Beacon type	LED steady beacon, LED flashing beacon, LED strobe beacon or LED all-round light
Light source	High Power LEDs
Luminous intensity	13–53 cd depending on colour
Speed of rotation	33/44 rpm switchable
Duty cycle	100 %
Operating temperature	-55 °C / +55 °C
Degree of protection	IP66 & IP67
Approval	PTB 03 ATEX 1230
Insulation class	III
Weight	2 kg



dSD

ORDER DATA

Type	Colour	Nominal voltage	Voltage range (V)	Nominal current (A)	Order number
dSD1	red	110-240 V AC	85-265	0,060-1,800	335 212 313
	blue	110-240 V AC	85-265	0,060-1,800	335 215 313
	green	110-240 V AC	85-265	0,060-1,800	335 216 313
	yellow	110-240 V AC	85-265	0,060-1,800	335 217 313
	clear	110-240 V AC	85-265	0,060-1,800	335 214 313
dSD2	red	24 V DC	+/- 20 %	0,190-1,600	335 212 005
		48 V DC	43-53	0,115-0,650	335 212 008
	blue	24 V DC	+/- 20 %	0,190-1,600	335 215 005
		24 V DC	+/- 20 %	0,190-1,600	335 216 005
	yellow	24 V DC	+/- 20 %	0,190-1,600	335 217 005
		48 V DC	43-53	0,115-0,650	335 217 008
	clear	24 V DC	+/- 20 %	0,190-1,600	335 214 005



MPL

ACCESSORIES

Type	Type of accessory	Order number
MPL	Mounting plate including explosion-proof junction box	335 500 000

mMD Explosion-proof LED multi colour beacon

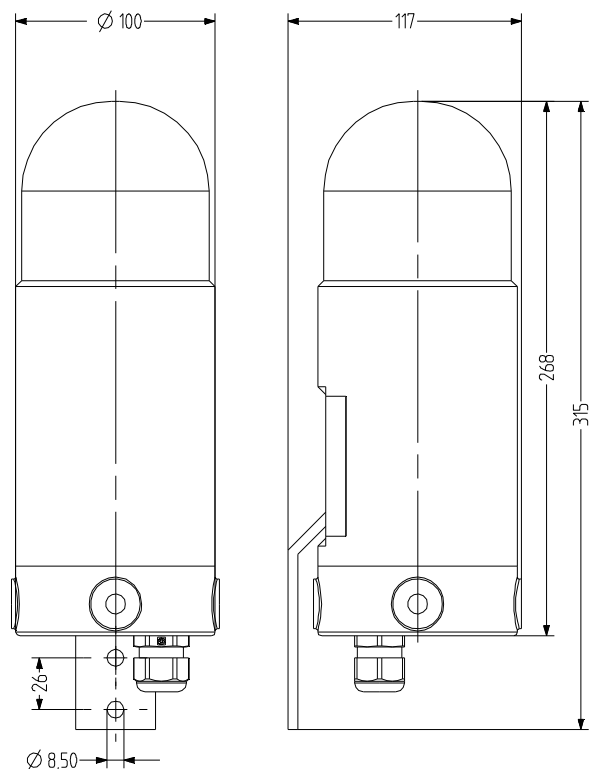
- 5 signal colours and 3 operating modes, can be switched
 - steady/flashing/strobe light
- Certified for gas and dust hazardous areas of zone 2, 22
- Polycarbonate plastic housing
- Mounting bracket V4A
- Degree of protection IP 66
- Protection class II (AC) or III/II (DC)

II 3 G Ex nR IIC T6 Gc
 II 3 D Ex tc IIIC T85 °C Dc
 -20 °C ≤ Ta ≤ +50 °C
 Zone 2, 22



TECHNICAL DATA

Housing	Ø 103 mm, Polycarbonate black
Colours	green, yellow, red, blue, clear
Lens	Polycarbonate, clear
Type of mounting	Mounting bracket, any
Cable entry	Cable gland M20 × 1.5
Connection technology	bis 2,5 mm ²
Beacon type	LED steady beacon, LED flashing beacon or LED strobe beacon
Light source	LEDs
Duty cycle	100 %
Operating temperature	-20 °C / +50 °C
Degree of protection	IP66
Weight	1,4 kg



mMD

ORDER DATA

Lens colour	Nominal voltage	Voltage range (V)	Nominal current (A)	Order number
clear	24 V DC	+/- 20 %	<0,135	337 000 005
	230 V AC	+/- 20 %	<0,050	337 000 313



MPL

ACCESSORIES

Type	Type of accessory	Order number
MPL	Mounting plate including explosion-proof junction box	335 500 000

mDD Explosion-proof LED signal beacon

- Certified for gas and dust hazardous areas of zone 1, 2, 21, 22
- Encapsulation "m"
- Polycarbonate plastic housing
- mounting bracket V4A

- 5 LED colours
- Degree of protection IP 66
- Protection class II (AC) or III (DC)
- Terminal connection chamber "increased safety e"

II 2 G Ex e mb (ib) IIC T4

II 2 D Ex mbD tD A21 IP 66 T130 °C

-40 °C ≤ Ta ≤ +60 °C (AC-Mod.)

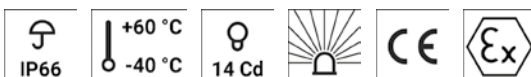
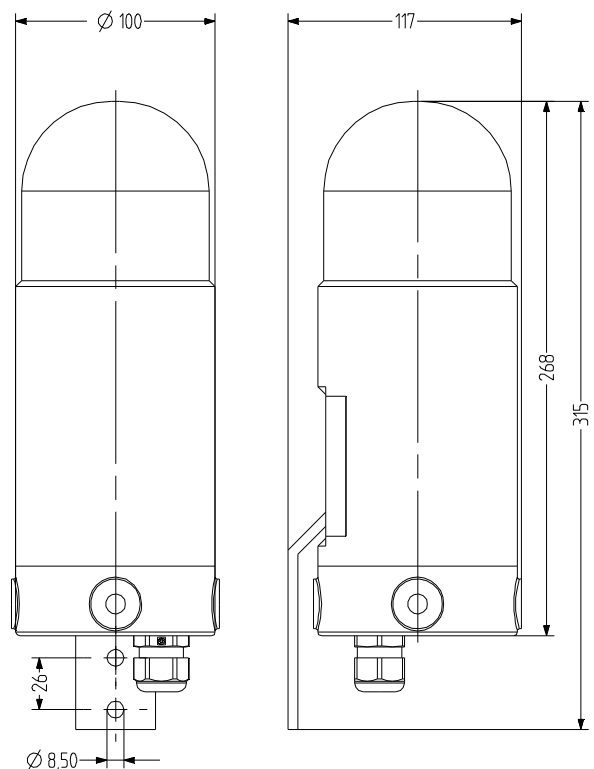
-40 °C ≤ Ta ≤ +65 °C (DC-Mod.)

Zone 1, 2, 21, 22



TECHNICAL DATA

Housing	Ø 103 mm, Polycarbonate black (RAL 9005)
Lens	Polycarbonate, clear
Type of mounting	Bracket for wall mounting, V4A, any
Cable entry	Cable gland M20 × 1.5, 2× blind plugs M20 × 1.5
Connection technology	bis 2,5 mm ²
Beacon type	LED steady beacon, LED flashing beacon, LED strobe beacon or LED all-round light
Light source	LEDs
Luminous intensity	14 Cd (rot)
Duty cycle	100 %
Operating temperature	-40 °C / +60 °C
Degree of protection	IP66
Weight	2,5 kg



mDD

ORDER DATA

Type	Lens colour	Colour	Nominal voltage	Voltage range (V)	Nominal current (A)	Order number
mDD1	clear	red	230 V AC	+/- 20 %	0,035-0,047	336 002 413
		white	230 V AC	+/- 20 %	0,037-0,055	336 004 413
		blue	230 V AC	+/- 20 %	37-55	336 005 413
		green	230 V AC	+/- 20 %	0,037-0,055	336 006 413
		yellow	230 V AC	+/- 20 %	0,035-0,047	336 007 413
mDD2	clear	red	24 V DC	+/- 20 %	0,24-0,85	336 002 005
		white	24 V DC	+/- 20 %	0,32-1,28	336 004 005
		blue	24 V DC	+/- 20 %	0,31-1,25	336 005 005
		green	24 V DC	+/- 20 %	0,31-1,2	336 006 005
		yellow	24 V DC	+/- 20 %	0,24-0,9	336 007 005



MPL

ACCESSORIES

Type	Type of accessory	Order number
MPL	Mounting plate including explosion-proof junction box	335 500 000

dSF Explosion-proof Xenon strobe beacon

- Xenon strobe beacon with 15 J or 5 J strobe energy
- Certified for gas and dust hazardous areas of zone 1, 2, 21, 22
- Flame-proof enclosure "d"
- Terminal connection chamber "increased safety e"
- Housing made of copper-free seawater-resistant aluminium
- Hardened glass lens
- 5 lens colours
- Degree of protection IP 66, protection class I
- All models with protection cage made of stainless steel

II 2 G Ex d e IIC T5, T6 Gb

II 2 D Ex tb IIIC T95 °C, T80 °C Db

-55 °C ≤ Ta ≤ +55 °C T5

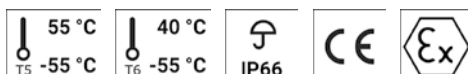
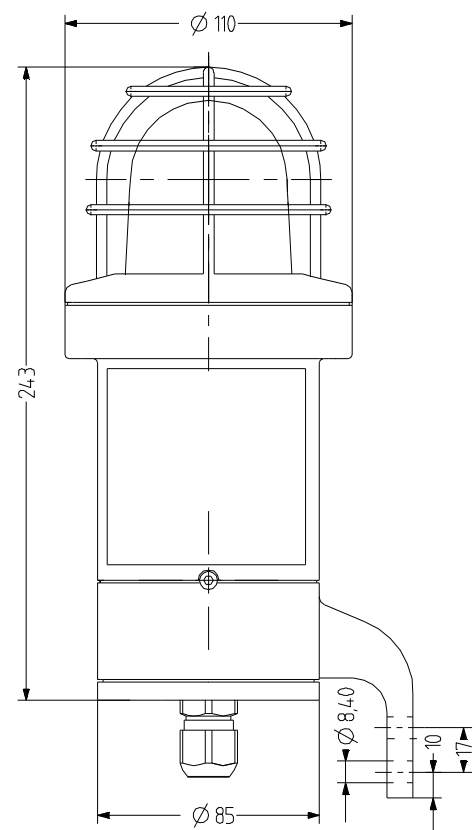
-55 °C ≤ Ta ≤ +40 °C T6

Zone 1, 2, 21, 22



TECHNICAL DATA

Housing	Ø 110 mm, Aluminium, surface painted or powder-coated yellow/blue
Lens	tempered borosilicate glass, orange, red, clear, blue or green
Type of mounting	Bracket for wall mounting, any
Cable entry	1× cable gland M20 × 1.5, 1× sealing plug M20 × 1.5
Connection technology	1.5 mm ² fine wire and 2.5 mm ² single wire
Beacon type	Xenon strobe beacon
Light source	Xenon tube
Luminous intensity	5 J strobe energy/15 J strobe energy
Duty cycle	100 %
Service life	Light source: 5 million flashes
Operating temperature	-55 °C / +55 °C (T5) -55 °C / +40 °C (T6)
Degree of protection	IP66
Approval	PTB 03 ATEX 1230
Insulation class	I
Weight	2 kg



dSF

ORDER DATA

Type	Output	Lens colour	Nominal voltage	Voltage range (V)	Nominal current (A)	Order number	
dSF1	15 J	orange	110-120 V AC	103-127	0,135	335 001 410	
			230-240 V AC	207-253	0,200	335 001 413	
		red	110-120 V AC	103-127	0,135	335 002 410	
			230-240 V AC	207-253	0,200	335 002 413	
		clear	110-120 V AC	103-127	0,135	335 004 410	
			230-240 V AC	207-253	0,200	335 004 413	
	blue	110-120 V AC	103-127	0,135	335 005 410		
		230-240 V AC	207-253	0,200	335 005 413		
	green	110-120 V AC	103-127	0,135	335 006 410		
		230-240 V AC	207-253	0,200	335 006 413		
	5 J	orange	110-120 V AC	103-127	0,135	335 101 410	
			230-240 V AC	207-253	0,130	335 101 413	
		red	110-120 V AC	103-127	0,135	335 102 410	
			230-240 V AC	207-253	0,130	335 102 413	
clear		110-120 V AC	103-127	0,135	335 104 410		
		230-240 V AC	207-253	0,130	335 104 413		
blue		110-120 V AC	103-127	0,135	335 105 410		
		230-240 V AC	207-253	0,130	335 105 413		
green		110-120 V AC	103-127	0,135	335 106 410		
		230-240 V AC	207-253	0,130	335 106 413		
dSF2		15 J	orange	24 V DC	21-53	1,000	335 001 005
				80 V DC	72-132	0,250	335 001 009
	red		24 V DC	21-53	1,000	335 002 005	
			80 V DC	72-132	0,250	335 002 009	
	clear		24 V DC	21-53	1,000	335 004 005	
			80 V DC	72-132	0,250	335 004 009	
	blue	24 V DC	21-53	1,000	335 005 005		
		80 V DC	72-132	0,250	335 005 009		
	green	24 V DC	21-53	1,000	335 006 005		
		80 V DC	72-132	0,250	335 006 009		
	5 J	orange	24 V DC	21-53	0,280	335 101 005	
			80 V DC	72-132	0,090	335 101 009	
		red	24 V DC	21-53	0,280	335 102 005	
			80 V DC	72-132	0,090	335 102 009	
		clear	24 V DC	21-53	0,280	335 104 005	
			80 V DC	72-132	0,090	335 104 009	
		blue	24 V DC	21-53	0,280	335 105 005	
			80 V DC	72-132	0,090	335 105 009	
green		24 V DC	21-53	0,280	335 106 005		
		80 V DC	72-132	0,090	335 106 009		



MPL

ACCESSORIES

Type	Type of accessory	Order number
MPL	Mounting plate including explosion-proof junction box	335 500 000