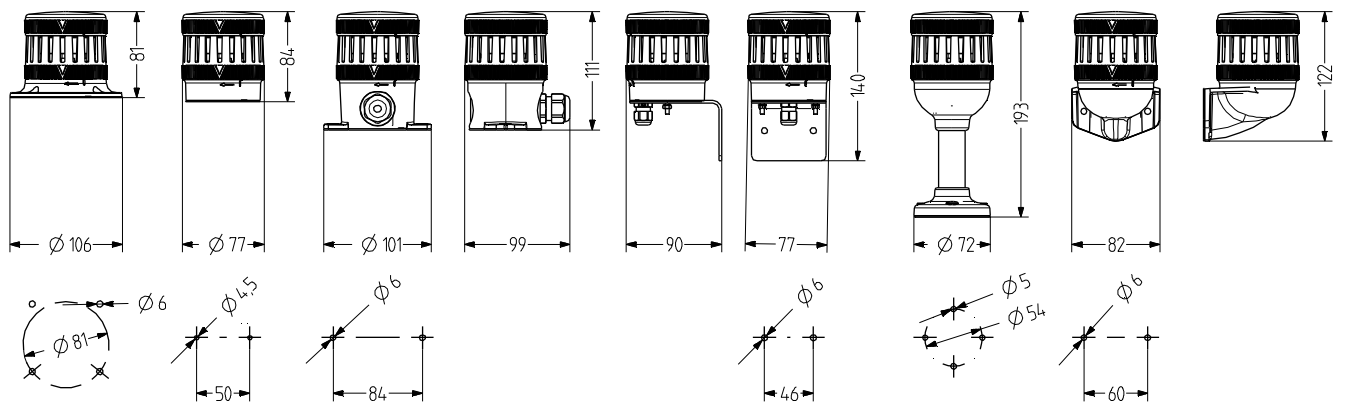


# TDE Piezo buzzer

- Ø 75 mm piezo buzzer from the "T" series
- Steady or pulsing tone can be selected via DIP switch
- High degree of protection IP 66
- For industrial and general applications
- Up to 100 dB (A) sound pressure, infinitely adjustable
- Modular design – 7 types of mounting
- User-friendly connection technology
- Can be combined with T series beacons as an option



## TECHNICAL DATA

Housing	Ø 75 mm Polycarbonate black (RAL 9005)
Type of mounting	horizontal, vertical or Tube mounting
Connection technology	Screw terminal
Leakage current	0,003 A
Tone	2 Tones, 1 Tones can be switched externally, Steady tone or Pulsing tone
Volume	88-100 dB (can be adjusted with potentiometer)

Tone frequency	2.800 Hz
Duty cycle	100 %
Operating temperature	-30 °C / +60 °C
Degree of protection	IP66 & UL Type 4/4x/13
Impact resistance	IK08
Weight	128 g



# TDE

## ORDER DATA

Nominal voltage	Voltage range (V)	Nominal current (A)	Mains frequency	Order number
24 V AC/DC	18-27 V AC	0,048	50-60 Hz	859 560 405
	20-32 V DC	0,030		
110-120 V AC	75-132	0,040	50-60 Hz	859 560 310
230-240 V AC	150-264	0,040	50-60 Hz	859 560 313



TMW



TMF



TMV



TMR



TNL



TNW

## ORDER DATA - BASE

Type	Type of accessory	Tube length	Weight	Order number
TMW	Base for horizontal mounting, with internal mounting holes		46 g	859 500 900
TMF	Base for horizontal mounting, with external mounting holes		71 g	859 510 900
TMV	Base for vertical mounting		83 g	859 520 900
TMR	Tube base for tube mounting, with aluminium tube/plastic foot	100 mm	128 g	859 532 900
		250 mm	176 g	859 533 900
TNL	Base for horizontal mounting, with side cable entry		94 g	859 515 900
TNW	Tube base for NPT 1/2" tube mounting		54 g	859 540 900



TVS



XWR



PV1

## ACCESSORIES

Type	Type of accessory	Weight	Order number
TVS	Metal bracket made possible with TMW cable entry from bottom (incl. cable gland M12 x 1.5)	218 g	859 550 900
XWR	Bracket for vertical mounting of TMR/UMR tube base	95 g	900 600 900
PV1	Ventilation element for optimum pressure equalisation, protection against condensation forming, compatible with TMW, TMF, TNL, UMW, UMF, UNL		859 100 000

