

## SE1 Motor siren

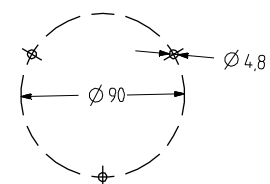
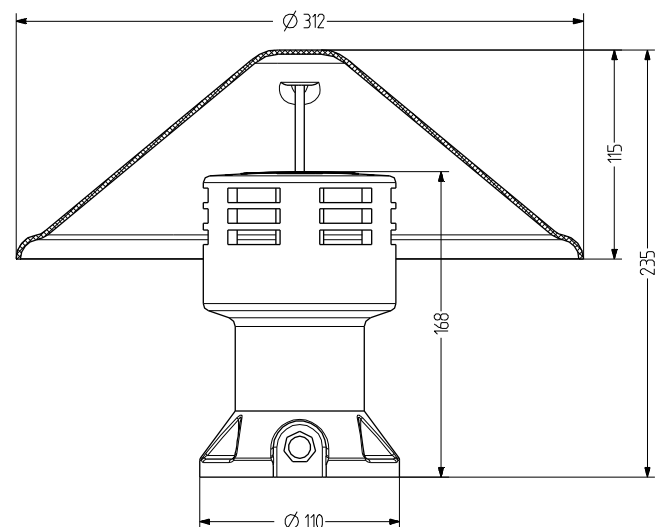
- Ø 110 mm motor alarm sounder
- Max. 112 dB (A) sound pressure
- Optional protective hood for outdoor applications

- Typical penetrating siren tone
- 360° sound pressure output/all-round effect
- Range of audibility up to 300 m



### TECHNICAL DATA

Housing	Die-cast aluminium dark grey (RAL 7031) Protective hood: Thermoplastic
Type of mounting	horizontal
Cable entry	side: Cable gland M16
Tone	Siren wailing tone
Volume	112 dB
Tone frequency	800 Hz
Output	37,000 W
Duty cycle	Short-term operation S 2/15 min
Operating temperature	-10 °C / +40 °C
Degree of protection	IP22 & IP44 with protective hood
Weight	1,6 kg (+210 g for protective hood)
Range of audibility	with the wind 300 m, against the wind 150 m



# SE1

## ORDER DATA

Nominal voltage	Voltage range (V)	Nominal current (A)	Starting current	Order number
230 V AC/DC	+/- 10 %	0,600	2,400 A	593 004 413

## ACCESSORIES

Type	Type of accessory	Order number
SSE12	Protective hood	594 001 000

