

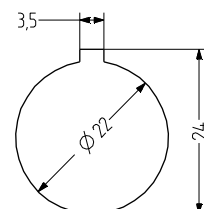
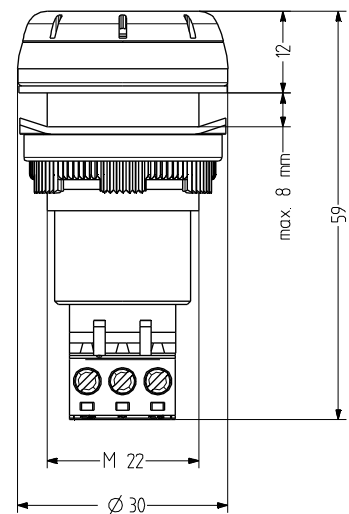
# ESV Panel mount buzzer

- Ø 30 mm panel-mount buzzer
- Max. 85 dB (A) sound pressure
- High degree of protection IP 65
- Panel size Ø 22.5 mm/M22
- 2 easily distinguishable tones
- User-friendly connection technology
- For industrial and general applications
- Adapter available for M30.5 mm panel size



## TECHNICAL DATA

Housing	Ø 30 mm Polycarbonate black (RAL 9005) or grey (RAL 7035)
Type of mounting	any
Panel size	22 mm (M22) and 30.5 mm (with adapter)
Connection technology	plug-in screw terminal bis 2,5 mm²
Leakage current	0,003 A
Tone	2 Tones, 2 Tones can be switched externally, Steady tone or Pulsing tone
Volume	85 dB
Tone frequency	3.500 Hz
Duty cycle	100 %
Operating temperature	-25 °C / +60 °C
Degree of protection	IP65 & UL Type 4/4x/13
Weight	30 g



# ESV

## ORDER DATA

Nominal voltage	Voltage range (V)	Nominal current (A)	Mains frequency	Housing colour	
				grey	black
12-24 V AC/DC	10-24	0,040	50-60 Hz	812 110 405	812 510 405
110-120 V AC	75-140	0,035	50-60 Hz	812 110 310	812 510 310
110-120 V DC	+/- 10 %	0,011	50-60 Hz	812 110 010	812 510 010
230 V AC	150-260	0,035	50-60 Hz	812 110 313	812 510 313



ADM30



WZ30

## ACCESSORIES

Type	Type of accessory	Weight	Order number
ADM30	Adapter for M30.5 for 30.5 mm holes	8 g	812 500 900
WZ30	Mounting tool for 30 mm models		812 400 900

## tone TABLE

Tone on terminal

La	N	Lb	
X	X		pulsing tone
X	X	X	continuous tone



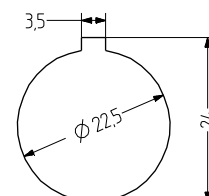
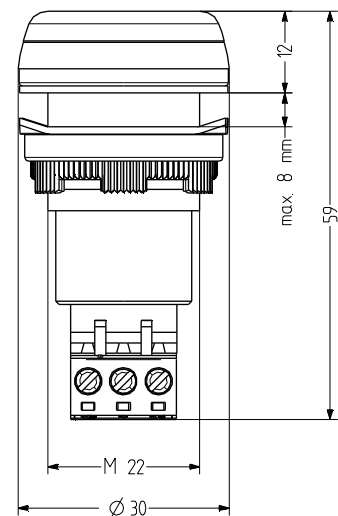
## ESK Panel mount buzzer

- Ø 30 mm panel-mount buzzer
- Max. 65 dB (A) sound pressure
- High degree of protection IP 65
- Panel size Ø 22.5 mm/M22
- 2 easily distinguishable tones
- User-friendly connection technology
- For industrial and general applications
- Adapter available for M30.5 mm panel size



### TECHNICAL DATA

Housing	Ø 30 mm Polycarbonate black (RAL 9005) or grey (RAL 7035)
Type of mounting	any
Panel size	22 mm (M22) and 30.5 mm (with adapter)
Connection technology	plug-in screw terminal bis 2,5 mm <sup>2</sup>
Leakage current	0,003 A
Tone	2 Tones, 2 Tones can be switched externally, Steady tone or Pulsing tone
Volume	65 dB
Tone frequency	3.500 Hz
Duty cycle	100 %
Operating temperature	-25 °C / +60 °C
Degree of protection	IP65 & UL Type 4/4x/13
Weight	30 g



# ESK

## ORDER DATA

Nominal voltage	Voltage range (V)	Nominal current (A)	Mains frequency	Housing colour	
				black	grey
12-24 V AC/DC	10-24	0,040	50-60 Hz	812 500 405	812 100 405
110-120 V DC	+/- 10 %	0,011	50-60 Hz	812 500 010	812 100 010
110-120 V AC	75-140	0,035	50-60 Hz	812 500 310	812 100 310
230 V AC	150-260	0,035	50-60 Hz	812 500 313	812 100 313



ADM30



WZ30

## ACCESSORIES

Type	Type of accessory	Weight	Order number
ADM30	Adapter for M30.5 for 30.5 mm holes	8 g	812 500 900
WZ30	Mounting tool for 30 mm models		812 400 900

## tone TABLE

Tone on terminal			
La	N	Lb	
X	X		pulsing tone
X	X	X	continuous tone

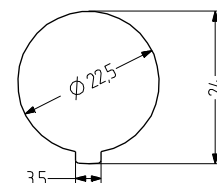
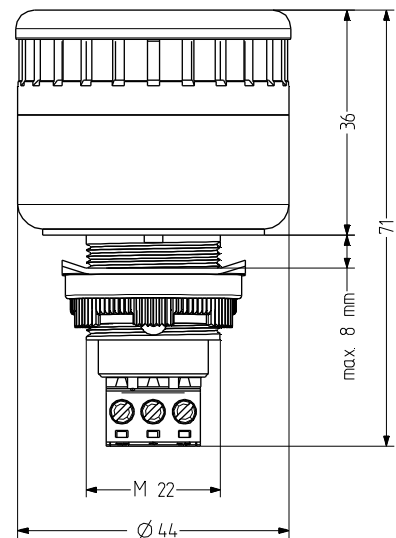
## ESM Panel mount buzzer

- Ø 45 mm panel-mount buzzer
- Max. 100 dB (A) sound pressure, infinitely adjustable
- High degree of protection IP 65
- Panel size Ø 22.5 mm/M22
- 2 easily distinguishable tones
- User-friendly connection technology
- For industrial and general applications
- Adapter available for M30.5 mm panel size



### TECHNICAL DATA

Housing	Ø 45 mm Polycarbonate black (RAL 9005) or grey (RAL 7035)
Type of mounting	any
Panel size	22 mm (M22) and 30.5 mm (with adapter)
Connection technology	plug-in screw terminal bis 2,5 mm <sup>2</sup>
Leakage current	0,003 A
Tone	2 Tones, 2 Tones can be switched externally, Steady tone or Pulsing tone
Volume	85-100 dB (can be adjusted with potentiometer)
Tone frequency	3.300 Hz
Duty cycle	100 %
Operating temperature	-25 °C / +60 °C
Degree of protection	IP65 & UL Type 4/4x/13
Weight	35 g



# ESM

## ORDER DATA

Nominal voltage	Voltage range (V)	Nominal current (A)	Mains frequency	Housing colour	
				grey	black
12-24 V AC/DC	8-24	0,019	50-60 Hz	813 100 405	813 500 405
110-120 V AC	75-140	0,042	50-60 Hz	813 100 310	813 500 310
230 V AC	150-260	0,040	50-60 Hz	813 100 313	813 500 313



ADM30

## ACCESSORIES

Type	Type of accessory	Weight	Order number
ADM30	Adapter for M30.5 for 30.5 mm holes	8 g	812 500 900

## tone TABLE

Tone on terminal

La	N	Lb	
X	X		pulsing tone
X	X	X	continuous tone



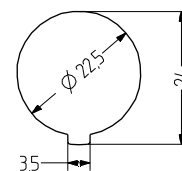
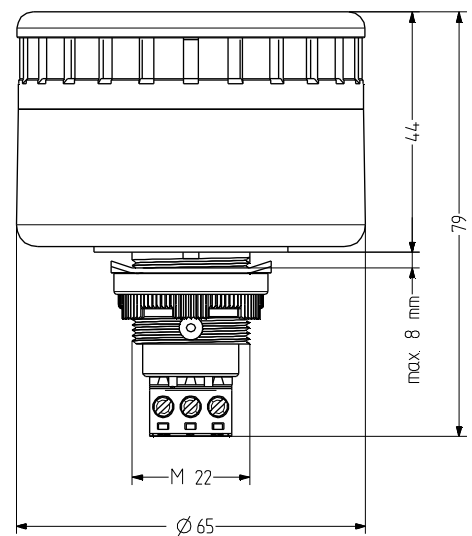
## ESG Panel mount buzzer

- $\varnothing$  65 mm panel-mount buzzer
- Max. 105 dB (A) sound pressure, infinitely adjustable
- High degree of protection IP 65
- Panel size  $\varnothing$  22.5 mm/M22
- 3 easily distinguishable tones
- User-friendly connection technology
- For industrial and general applications
- Adapter available for M30.5 mm panel size



### TECHNICAL DATA

Housing	$\varnothing$ 65 mm Polycarbonate black (RAL 9005) or grey (RAL 7035)
Type of mounting	any
Panel size	22 mm (M22) and 30.5 mm (with adapter)
Connection technology	plug-in screw terminal bis 2,5 mm <sup>2</sup>
Leakage current	0,003 A
Tone	3 Tones, 3 Tones can be switched externally, Steady tone, Pulsing tone or Alternating
Volume	85-105 dB (can be adjusted with potentiometer)
Tone frequency	3.300 Hz
Duty cycle	100 %
Operating temperature	-25 °C / +60 °C
Degree of protection	IP65 & UL Type 4/4x/13
Weight	65 g



# ESG

## ORDER DATA

Nominal voltage	Voltage range (V)	Nominal current (A)	Mains frequency	Housing colour	
				grey	black
12-24 V AC/DC	8-24	0,057	50-60 Hz	814 100 405	814 500 405
110-120 V AC	75-140	0,042	50-60 Hz	814 100 310	814 500 310
230 V AC	150-260	0,044	50-60 Hz	814 100 313	814 500 313



ADM30

## ACCESSORIES

Type	Type of accessory	Weight	Order number
ADM30	Adapter for M30.5 for 30.5 mm holes	8 g	812 500 900

## tone TABLE

Tone on terminal

La	N	Lb	
X	X		pulsing tone
	X	X	wobble tone
X	X	X	continuous tone





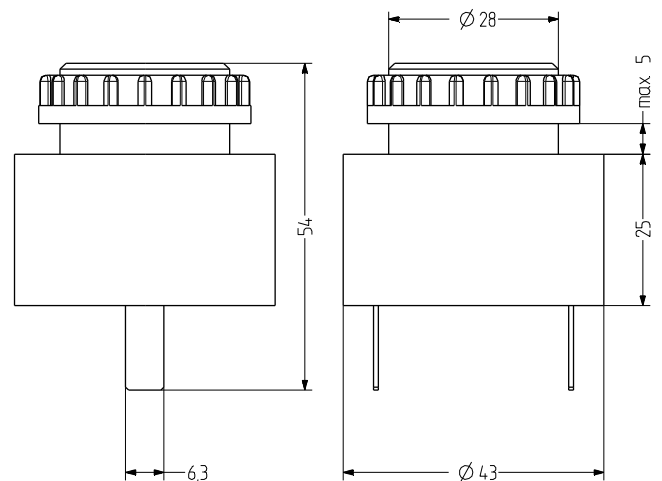
## ESD Panel mount buzzer

- Ø 35 mm (mounting nut) panel-mount buzzer
- Max. 90 dB (A) sound pressure
- Wide voltage range
- Panel size Ø 28 mm/M28
- Steady tone
- Connection via tabs
- For industrial and general applications
- Sealed electronics, low current consumption



### TECHNICAL DATA

Housing	ABS grey or black
Type of mounting	any
Panel size	28 mm (M28)
Connection technology	Flat connector
Tone	Steady tone
Volume	90 dB
Tone frequency	2.400 Hz
Duty cycle	100 %
Operating temperature	-20 °C / +60 °C
Degree of protection	IP30 & IP68 for 24 V model when panel mounted
Weight	55 g



# ESD

## ORDER DATA

Nominal voltage	Voltage range (V)	Nominal current (A)	Mains frequency	Housing colour	
				black	grey
24 V AC/DC	4-40	0,020	50-60 Hz	810 100 405	810 000 405
48 V AC/DC	10-48	0,020	50-60 Hz	810 100 408	810 000 408
230-240 V AC	30-250	0,020	50-60 Hz	810 100 313	810 000 313

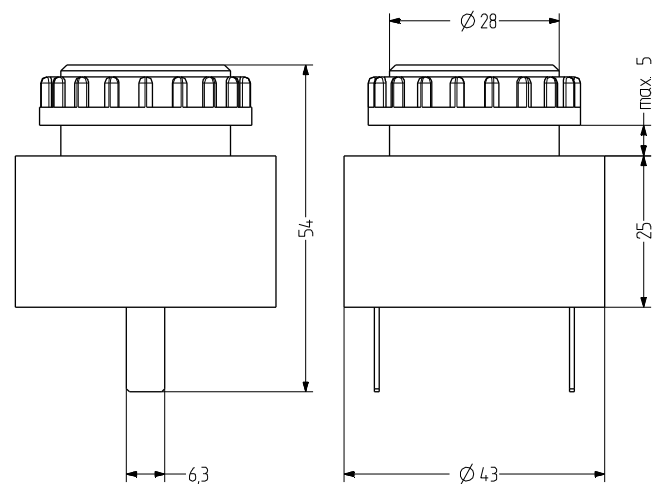
## ESP Panel mount buzzer

- Ø 35 mm (mounting nut) panel-mount buzzer
- Max. 90 dB (A) sound pressure
- Wide voltage range
- Panel size Ø 28 mm/M28
- Pulsing tone
- Connection via tabs
- For industrial and general applications
- Sealed electronics, low current consumption



### TECHNICAL DATA

Housing	ABS grey or black
Type of mounting	any
Panel size	28 mm (M28)
Connection technology	Flat connector
Tone	Pulsing tone
Volume	90 dB
Tone frequency	2,400 Hz
Duty cycle	100 %
Operating temperature	-20 °C / +60 °C
Degree of protection	IP30 & IP68 for 24 V model when panel mounted
Weight	55 g



# ESP

## ORDER DATA

Nominal voltage	Voltage range (V)	Nominal current (A)	Mains frequency	Housing colour	
				grey	black
24 V AC/DC	4-40	0,020	50-60 Hz	811 000 405	811 100 405
48 V AC/DC	10-48	0,020	50-60 Hz	811 000 408	811 100 408
230-240 V AC	30-250	0,020	50-60 Hz	811 000 313	811 100 313

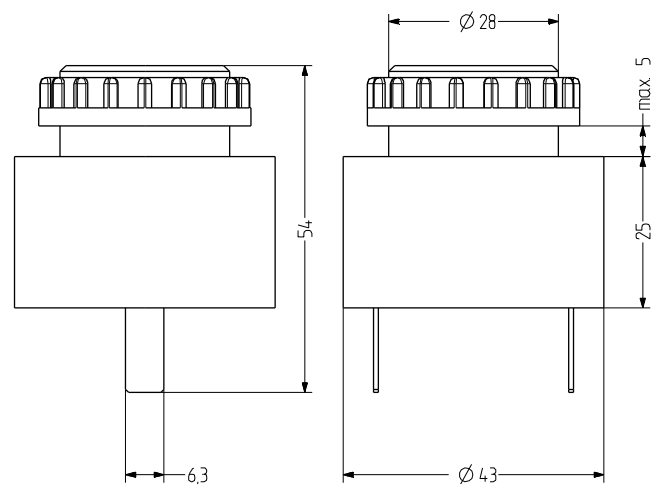
## ESZ Panel mount buzzer

- Ø 35 mm (mounting nut) panel-mount buzzer
- Max. 90 dB (A) sound pressure
- Wide voltage range
- Panel size Ø 28 mm/M28
- Steady and pulsing tone
- Connection via tabs or terminal
- For industrial and general applications
- Sealed electronics, low current consumption



### TECHNICAL DATA

Housing	ABS grey or black
Type of mounting	any
Panel size	28 mm (M28)
Connection technology	Flat connector or terminal
Tone	2 Tones, 2 Tones can be switched externally, Steady tone or Pulsing tone
Volume	90 dB
Tone frequency	2.400 Hz
Duty cycle	100 %
Operating temperature	-20 °C / +60 °C
Degree of protection	IP30 & IP68 for 24 V model when panel mounted
Weight	55 g



# ESZ

## ORDER DATA

Connection	Nominal voltage	Voltage range (V)	Nominal current (A)	Mains frequency	Housing colour	
					black	grey
Flat connector	24 V AC/DC	6-28	0,020	50-60 Hz	809 100 405	809 000 405
	48 V AC/DC	10-48	0,020	50-60 Hz	809 100 408	809 000 408
	110-120 V AC	20-140	0,020	50-60 Hz	809 100 310	809 000 310
	230-240 V AC	50-250	0,020	50-60 Hz	809 100 313	809 000 313
Terminal	24 V AC/DC	6-28	0,020	50-60 Hz	809 110 405	809 010 405
	48 V AC/DC	10-48	0,020	50-60 Hz	809 110 408	809 010 408
	110-120 V AC	20-140	0,020	50-60 Hz	809 110 310	809 010 310
	230-240 V AC	50-250	0,020	50-60 Hz	809 110 313	809 010 313

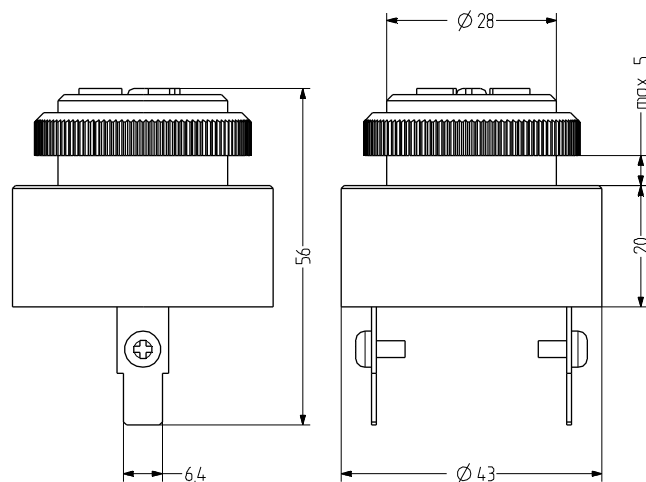
## BU2 Panel mount buzzer

- Ø 35 mm (mounting nut) panel-mount buzzer
- Max. 90 dB (A) sound pressure
- Connection via tabs
- Panel size Ø 28 mm/M28
- Pulsing tone
- Sound pressure can be reduced by ~10 dB via turning window
- For universal applications
- Sealed electronics, low current consumption



### TECHNICAL DATA

Housing	ABS black
Panel size	28 mm (M28)
Connection technology	Flat connector
Tone	Pulsing tone
Volume	80-90 dB (can be adjusted with turning window)
Tone frequency	2.500-3.500 Hz
Duty cycle	100 %
Operating temperature	-20 °C / +70 °C
Degree of protection	IP54
Weight	35 g



# BU2

## ORDER DATA

Nominal voltage	Voltage range (V)	Nominal current (A)	Order number
12 V AC/DC	6-16	0,020	B100 520 404
24 V AC/DC	12-28	0,030	B100 520 405



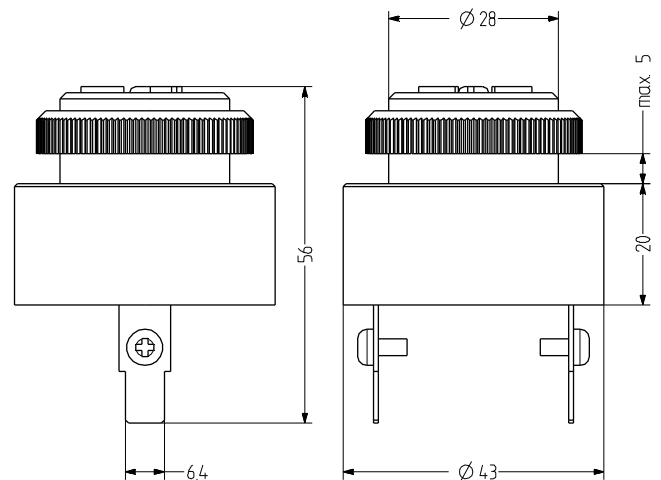
# BU3 Panel mount buzzer

- Ø 35 mm (mounting nut) panel-mount buzzer
- Max. 90 dB (A) sound pressure
- Connection via tabs
- Panel size Ø 28 mm/M28
- Pulsing tone
- Sound pressure can be reduced by ~10 dB via turning window
- For universal applications
- Sealed electronics, low current consumption



## TECHNICAL DATA

Housing	ABS black
Panel size	28 mm (M28)
Connection technology	Connector with screw
Tone	Pulsing tone
Volume	80-90 dB (can be adjusted with turning window)
Tone frequency	2.500-3.500 Hz
Duty cycle	100 %
Operating temperature	-20 °C / +70 °C
Degree of protection	IP54
Weight	35 g



# BU3

## ORDER DATA

Nominal voltage	Voltage range (V)	Nominal current (A)	Order number
220 V AC	180-240	0,020	B100 520 313