

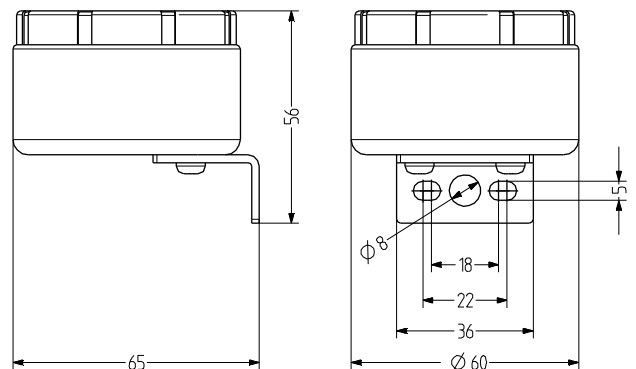
## BU1 Surface mount buzzers

- Ø 60 mm surface-mount buzzer
- Max. 108 dB (A) sound pressure
- Prewired with 2.25 m cable
- Metal mounting bracket
- Pulsing tone
- Very attractive price/performance ratio
- High degree of protection IP 66



### TECHNICAL DATA

Housing	ABS black
Type of mounting	any
Cable entry	pre-wired (2.25 m cable)
Tone	Pulsing tone
Volume	108 dB
Tone frequency	2.200-2.400 Hz
Duty cycle	100 %
Operating temperature	-20 °C / +70 °C
Degree of protection	IP66
Weight	110 g



# BU1

## ORDER DATA

Nominal voltage	Voltage range (V)	Nominal current (A)	Order number
12 V DC	6-15	0,300	B100 510 004
24 V DC	12-28	0,300	B100 510 005

