

Dual sensors for rotary actuators

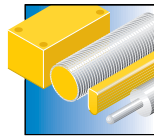


In the chemical, petro-chemical and food industry, position control on rotary actuators is of great importance. TURCK dual sensors detect the end position of rotary actuators reliably. They are precisely tailored to the requirements of many different systems and application conditions. Simple mounting and cable routing reduce the expenses for installation.

Features

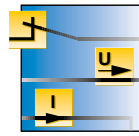
- Safe protection against environmental conditions
- High resistance to chemicals and cleaning agents
- Integrated valve control
- Bus-compatible
- Direct mounting on rotary actuator
- Robust and impact-resistant
- Repairs of the drive system without disconnection of wiring
- Absolutely maintenance-free
- Broad range of actuating elements and accessories
- Compliant with worldwide standards like ATEX and SIL

Properties



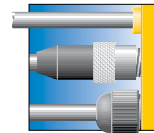
Designs

Robust, impact-resistant and compact housing



Electrical versions

2, 3 and 4-wire DC, 2-wire AC/DC, NAMUR,



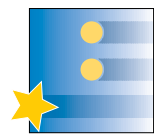
Electrical connections

Terminal chamber with removable terminal strip, cable or male M12



Materials

Robust and chemical resistant PP housing



Special features

ATEX approved and SIL2 qualified NAMUR devices




Internet link

Scan the QR code to access our products on the internet

DSC26







General data

Switching distance	4 mm, 	Housing material	PP
Dimensions	42 x 26 x 28 mm		

For more details on actuators (pucks) and mounting accessories see chapter „Accessories“

Types and data – selection table

Type	Connection	Operating voltage	Output		
NI4-DSC26-2Y1X2	2 m cable	8.2 VDC	NAMUR	w040	d330
NI4-DSC26-2Y1X2-H1140	male, M12 x 1	8.2 VDC	NAMUR	w041	d331
NI4-DSC26-2AP6X2-H1141	male, M12 x 1	10...30 VDC	 , PNP	w042	d331
NI4-DSC26-2AP6X2	2 m cable	10...30 VDC	 , PNP	w043	d330

DSU35



General data

Switching distance	4 mm, 	Housing material	plastic, PA12-GF20
---------------------------	---	-------------------------	--------------------

For more details on actuators (pucks) and mounting accessories see chapter „Accessories“

Types and data – selection table





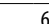






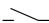

Type	Connection	Operating voltage	Output	Dimensions		
NI4-DSU35-2Y1X2	2 m cable	8.2 VDC	NAMUR	60 x 35 x 59 mm	w040	d332
NI4-DSU35-2Y1X2-H1140	male, M12 x 1	8.2 VDC	NAMUR	60 x 35.4 x 59 mm	w041	d333
NI4-DSU35TC-2Y1X2	Terminal chamber	8.2 VDC	NAMUR	60 x 35 x 62 mm	w044	d334
NI4-DSU35TC-2Y1X2/S933	Terminal chamber	8.2 VDC	NAMUR	60 x 35 x 62 mm	w044	d334
NI4-DSU35TC-2Y1X2/S97	Terminal chamber	8.2 VDC	NAMUR	60 x 35 x 62 mm	w044	d334
NI4-DSU35-2AP4X2	2 m cable	10...65 VDC	 , PNP	60 x 35 x 59 mm	w043	d332
NI4-DSU35-2AP4X2-H1141	male, M12 x 1	10...65 VDC	 , PNP	60 x 35.4 x 59 mm	w042	d333
NI4-DSU35TC-2AP4X2	Terminal chamber	10...65 VDC	 , PNP	60 x 35 x 62 mm	w045	d334
NI4-DSU35TC-2AD4X2	Terminal chamber	10...65 VDC	 , 2-wire	60 x 35 x 62 mm	w046	d334
NI4-DSU35TC-2AP4X2/3GD	Terminal chamber	10...65 VDC	 , PNP	60 x 35 x 62 mm	w045	d334
NI4-DSU35-2ADZ30X2	2 m cable	20...250 VAC / 10...300 VDC	2x 	60 x 35 x 59 mm	w047	d332
NI4-DSU35TC-2ADZ30X2	Terminal chamber	20...250 VAC / 10...300 VDC	2x 	60 x 35 x 62 mm	w048	d334

Table continues on the next page...

Inductive sensors – Complete product range

Sensors with analog output

... Table starts on previous page

Type	Connection	Operating voltage	Output	Dimensions		
NI4-DSU35-2ASIX4-H1140	male, M12 x 1	18...33 VDC	 , AS-i V2.1	60 x 35.4 x 59 mm	w049	d335
NI4-DSU35-2DNETX5-H1150	male, M12 x 1	11...25 VDC	 , DeviceNet™	60 x 35.4 x 59 mm	w050	d336

