

Inclinometers

Inclinometer MEMS / capacitive	IN81, 1- and 2-dimensional	Analog
---	-----------------------------------	---------------



The inclinometers of the IN81 series allow measuring 2-dimensional inclinations in the range of $\pm 85^\circ$ or 1-dimensional inclinations up to 360° .

With their high robustness, their protection level up to max. IP69k and their wide temperature range from -40°C to $+85^\circ\text{C}$, these devices are ideally suitable for outdoor use – e.g. for mobile automation applications.



High protection level	Shock / vibration resistant	Reverse polarity protection	Redundancy	Temperature range $-40^\circ\text{C} \dots +85^\circ\text{C}$

Robust

- High protection rating IP67 and IP69k in one device.
- Highest robustness thanks to metal housing.
- Stable accuracy over the whole temperature range from -40°C up to $+85^\circ\text{C}$.
- Non long-term drift thanks to sensor array technique.

Versatile

- Preset and teach function.
- Measuring direction 1- or 2-dimensional.
- With switch outputs.
- Stacked installation possible for redundancy.

Order code

8.IN81.XXXX.X2X
Type a b c d e f g

a Measuring direction

- 1 = 1-dimensional
- 2 = 2-dimensional

b Measuring range

- 1 = $\pm 10^\circ$ ¹⁾
- 2 = $\pm 15^\circ$ ¹⁾
- 3 = $\pm 30^\circ$ ¹⁾
- 4 = $\pm 45^\circ$ ¹⁾
- 5 = $\pm 60^\circ$ ¹⁾
- 6 = $\pm 85^\circ$ ¹⁾
- 7 = 0 ... 360° ($\pm 180^\circ$) ²⁾
- 8 = 0 ... 180° ($\pm 90^\circ$) ²⁾

c Interface

- 1 = 4 ... 20 mA / 12 bit
- 2 = 0.1 ... 4.9 V / 12 bit
- 3 = 0.5 ... 4.5 V / 12 bit
- 4 = 0 ... 5 V / 12 bit
- 5 = 0 ... 10 V / 12 bit

d Filter

- 1 = no filter
- 2 = filter value 0.1 Hz
- 3 = filter value 0.3 Hz
- 4 = filter value 0.5 Hz
- 5 = filter value 1.0 Hz
- 6 = filter value 2.0 Hz
- 7 = filter value 5.0 Hz
- 8 = filter value 10.0 Hz

e Optional switching outputs

- 1 = none
- 2 = 2 switch outputs ³⁾

f Power supply


- 2 = 10 ... 30V / 40 mA
- 15 ... 30 V for interface 5

g Type of connection

- 1 = 1 x M12 connector, 8-pin
- 3 = 2 x M12 connector, 8-pin + 5-pin ⁴⁾

1) Can only be ordered in conjunction with measuring direction 2-dimensional.
 2) Can only be ordered in conjunction with measuring direction 1-dimensional.
 3) Can only be ordered in connection with type of connection 3.
 4) Can only be ordered in connection with option 2 switching outputs.

Inclinometers

Inclinometer MEMS / capacitive		IN81, 1- and 2-dimensional	Analog
Accessories			Order no.
Teach-Adapter 	for controlling the control inputs for the following functions: - Preset (reference point setting) - Teaching (measuring range) - Filter setting - Switching points setting		8.0010.9000.0017
	Adapter plate	for installation identical to Kübler inclinometer IS40	8.0010.4062.0000
Connection technology			Order no.
Cordset, pre-assembled	M12 female connector with coupling nut, 8-pin, A coded, straight single ended 5 m [16.40'] PVC cable		05.00.6041.8211.005M
	M12 male connector with external thread, 5-pin, A coded, straight ¹⁾ single ended 5 m [16.40'] PVC cable		05.00.6091.A411.005M
Connector, self-assembly	M12 female connector with coupling nut, 8-pin, A coded, straight (metal)		05.CMB 8181-0
	M12 male connector with external thread, 5-pin, A coded, straight (metal) ¹⁾		8.0000.5111.0000

Further accessories can be found in the accessories section or in the accessories area of our website at: www.kuebler.com/accessories

Additional connectors can be found in the connection technology section or in the connection technology area of our website at: www.kuebler.com/connection_technology

Technical data			
Electrical characteristics current interface		Electrical characteristics voltage interface	
Power supply	10 ... 30 V DC	Power supply	0.1 ... 4.9 V / 0.5 ... 4.5 V / 0 ... 5 V 10 ... 30 V 0 ... 10 V 15 ... 30 V
Current consumption (no load)	max. 40 mA ²⁾	Current consumption (no load)	max. 40 mA ²⁾
Reverse polarity protection of the power supply	yes	Reverse polarity protection of the power supply	yes
PowerON Time (PowerOn until valid output value)	< 0.5 s	PowerON Time (PowerOn until valid output value)	< 0.5 s
Measuring axes	1 or 2	Measuring axes	1 or 2
Measuring range	1-dimensional 180° / 360° 2-dimensional max. ±85° (see order code)	Measuring range	1-dimensional 180° / 360° 2-dimensional max. ±85° (see order code)
Resolution	internal sensor 0,01° D/A converter 12 bit	Resolution	0 ... 5 V / 0 ... 10 V 12 bit 0.1 ... 4.9 V / 0.5 ... 4.5 V 11 bit
Accuracy at 25°C ³⁾	1-dimensional typ. ±1.0° 2-dimensional typ. ±0.5°	Accuracy at 25°C ⁵⁾	1-dimensional typ. ±1.0° 2-dimensional typ. ±0.5°
Repeat accuracy	±0.2°	Repeat accuracy	±0.2°
Transverse sensitivity ⁴⁾	typ. ±0.3°	Transverse sensitivity ⁴⁾	typ. ±0.3°
Temperature coefficient	1-dimensional typ. ±0.005 % / K 2-dimensional typ. ±0.015 % / K	Temperature coefficient	1-dimensional typ. ±0.0015 % / K 2-dimensional typ. ±0.005 % / K
Output load	at 10 VDC max. 200 Ohm at 24 VDC max. 900 Ohm at 30 VDC max. 1200 Ohm	Output load	max. 10 mA
Setting time	< 1 ms (R _{Burden} = 900 Ohm, 25°C)	Setting time	< 1 ms (R _{Burden} = 1000 Ohm, 25°C)
Sampling rate	50 Hz (20 ms)	Sampling rate	50 Hz (20 ms)
Limit frequency with Butterworth filter	0.1 ... 10 Hz, 8th order	Limit frequency with Butterworth filter	0.1 ... 10 Hz, 8th order
CE compliant acc. to	EMC guideline 2014/30/EU RoHS guideline 2011/65/EU	CE compliant acc. to	EMC guideline 2014/30/EU RoHS guideline 2011/65/EU
UL approval ⁶⁾	file 224618	UL approval ⁶⁾	file 224618
E1 type-approval	10R-058255	E1 type-approval	10R-058255

1) For variant with switching outputs.

2) Max. 270 mA under full load on both switching outputs.

3) Over the whole temperature and max. measuring range; 1 dim ≤ ±2.3°, 2 dim ≤ ±1.9°.

4) Only for 2-dimensional measuring direction.

5) Over the whole temperature and max. measuring range; 1 dim ≤ ±1.2°, 2 dim ≤ ±0.8°.

6) The IP protection class is not UL-tested. Verified by Kübler.

A full description of the technical data can be found in the relevant product manual at www.kuebler.com.

Inclinometers

Inclinometer MEMS / capacitive	IN81, 1- and 2-dimensional	Analog
---	-----------------------------------	---------------

Mechanical characteristics		
Connection	1 x M12 connector 2 x M12 connector	8-pin, male connector 8-pin, male connector / 5-pin, female connector
Weight	approx. 185 g	
Protection acc. to EN 60529	IP67 + IP69k ¹⁾	
Working temperature range	-40°C ... +85°C [-40°F ... +185°F]	
Material	housing	aluminum
Shock resistance acc. to EN 60068-2-27	1000 m/s ² , 6 ms	
Vibration resistance acc. to EN 60068-2-6	100 m/s ² , 10 ... 2000 Hz	
Dimensions	80 x 60 x 23 mm [3.15 x 2.36 x 0.91"]	

EMC		
Relevant standards	EN 61326-1	Electrical equipment for measurement, control and laboratory use
	EN 61000-6-2	Immunity for industrial environments
	EN 55011 Klasse B, EN 61000-6-3	Emitted interferences for residential environments
	EN ISO 14982	Agricultural and forestry machinery, electromagnetic compatibility, test methods and acceptance criteria ²⁾
	EN 13309	Construction machinery - Electromagnetic compatibility of machines with internal power supply ²⁾

Control inputs

Functions: Preset (reference point setting)
Teaching (measuring range)
Filter setting
Switching points setting

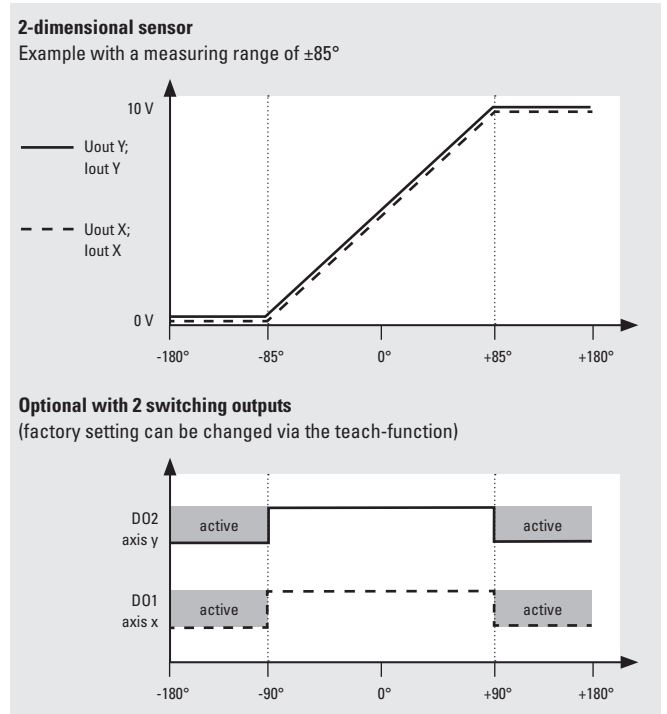
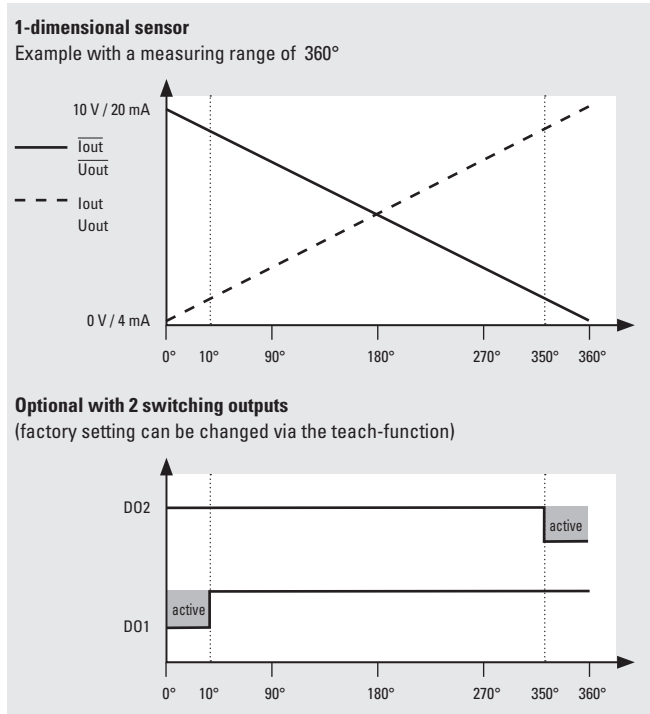
Switch output

optional: 2 switch outputs

Electrical characteristics	
Input	active HIGH
Signal level	High min. 60% of +V, max. +V Low max. 30% of +V
Min. pulse duration	+V for min. 1 s

Electrical characteristics	
Permissible load	max. 100 mA
Signal level (under max. load)	High min. +V - 3.0 V Low max. 0.5 V
Short circuit proof outputs	yes

Course of the output signal – factory setting



1) The IP protection class is not UL-tested. Verified by Kübler.
2) Without pulse 5.

Inclinometers

Inclinometer MEMS / capacitive	IN81, 1- and 2-dimensional	Analog
---	-----------------------------------	---------------

Terminal assignment, 1 dimensional

Interface 1 current	Type of connection 1	M12 connector, 8-pin									
		Signal:	0 V	+V	Iout+	Iout-	Iout+	Iout-	Teach 1		Teach 2
		Pin:	1	2	3	4	5	6	7	8	
Interface 1 current	Type of connection 3	M12 connector, 8-pin									
		Signal:	0 V	+V	Iout+	Iout-	Iout+	Iout-	Teach 1		Teach 2
		Pin:	1	2	3	4	5	6	7	8	
		Switching outputs option – M12 connector, 5-pin									
		Signal:	n.c.	DO1	DO2	n.c.	0 V				
		Pin:	1	2	3	4	5				
Interface 2, 3, 4, 5 voltage	Type of connection 1	M12 connector, 8-pin									
		Signal:	0 V	+V	Uout+	Uout-	Uout+	Uout-	Teach 1		Teach 2
		Pin:	1	2	3	4	5	6	7	8	
Interface 2, 3, 4, 5 voltage	Type of connection 3	M12 connector, 8-pin									
		Signal:	0 V	+V	Uout+	Uout-	Uout+	Uout-	Teach 1		Teach 2
		Pin:	1	2	3	4	5	6	7	8	
		Switching outputs option – M12 connector, 5-pin									
		Signal:	n.c.	DO1	DO2	n.c.	0 V				
		Pin:	1	2	3	4	5				

Terminal assignment, 2 dimensional

Interface 1 current	Type of connection 1	M12 connector, 8-pin									
		Signal:	0 V	+V	Iout+ X	Iout- X	Iout+ Y	Iout- Y	Teach 1		Teach 2
		Pin:	1	2	3	4	5	6	7	8	
Interface 1 current	Type of connection 3	M12 connector, 8-pin									
		Signal:	0 V	+V	Iout+ X	Iout- X	Iout+ Y	Iout- Y	Teach 1		Teach 2
		Pin:	1	2	3	4	5	6	7	8	
		Switching outputs option – M12 connector, 5-pin									
		Signal:	n.c.	DO1	DO2	n.c.	0 V				
		Pin:	1	2	3	4	5				
Interface 2, 3, 4, 5 voltage	Type of connection 1	M12 connector, 8-pin									
		Signal:	0 V	+V	Uout+ X	Uout- X	Uout+ Y	Uout- Y	Teach 1		Teach 2
		Pin:	1	2	3	4	5	6	7	8	
Interface 2, 3, 4, 5 voltage	Type of connection 3	M12 connector, 8-pin									
		Signal:	0 V	+V	Uout+ X	Uout- X	Uout+ Y	Uout- Y	Teach 1		Teach 2
		Pin:	1	2	3	4	5	6	7	8	
		Switching outputs option – M12 connector, 5-pin									
		Signal:	n.c.	DO1	DO2	n.c.	0 V				
		Pin:	1	2	3	4	5				

+V: Power supply +V DC
0V: Power supply ground GND (0 V)

Teach 1: Input 1 for various teaching functions
Teach 2: Input 2 for various teaching functions

DO1: Digital output 1
DO2: Digital output 2

Uout+ X: X axis voltage output
Uout- X: X axis voltage output GND
Uout+ Y: Y axis voltage output
Uout- Y: Y axis voltage output GND

1-axis version
Uout+: Voltage output
Uout-: Voltage output GND
Uout+: Inverted voltage output
Uout-: Inverted voltage output GND

Iout+ X: X axis current output
Iout- X: X axis current output GND
Iout+ Y: Y axis current output
Iout- Y: Y axis current output GND

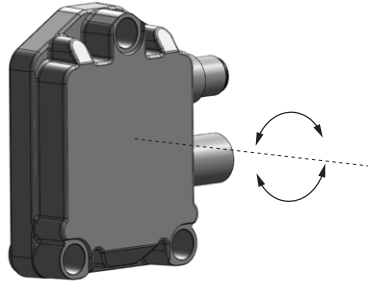
1-axis version
Iout+: Current output
Iout-: Current output GND
Iout+: Inverted current output
Iout-: Inverted current output GND

Inclinometers

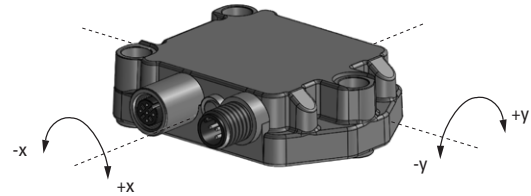
Inclinometer MEMS / capacitive	IN81, 1- and 2-dimensional	Analog
---	-----------------------------------	---------------

Direction of inclination

1-dimensional



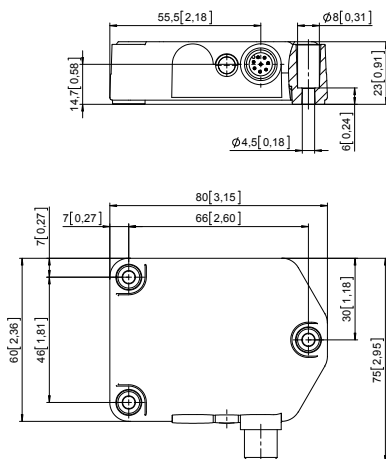
2-dimensional



Dimensions

Dimensions in mm [inch]

1 x M12 connector 8-pin, male contacts



1 x M12 connector 8-pin, male contacts

1 x M12 connector 5-pin, female contacts

