

Process displays

LED process displays Analogue signals with Min/Max value detection (DC) Codix 529



Cost-effective standard signal display for front panel mount with scalable bright 5-digit LED display.

The 14 bit resolution ensures an accurate measuring value display range with minimum and maximum value detection.



DC 10 ... 30 V Power supply	 mA, V Display scaling	 14 bit Resolution	 Menu-driven programming	 AC/DC Galvanic isolation	 -10° +50° Temperature range	 IP65 High protection level	 min / max Min / Max value detection	 DIN 48 x 24 DIN front bezel	 5 LED LED display
--	------------------------------	--------------------------	-----------------------------	---------------------------------	------------------------------------	-----------------------------------	--	------------------------------------	--------------------------

Product features

- Input range: 1 current measuring input, 1 voltage measuring input
- Compact display for analogue signals
- Display range -19 999 ... 99 999 with leading zeros suppression
- Modern industrial design

Benefits

- Galvanic isolation with protection against incorrect polarity
- Autom. Min / Max value detection
- Freely programmable characteristic curve end points
- Input for display hold

Order specifications

Display for analogue signals with Min / Max value detection

6.529.012.300 ¹⁾

Delivery specification

- Digital display
- Mounting clip
- Gasket
- Instruction manual, multilingual
- 1 set of self-adhesive symbols
- Front bezel for screw mounting (T008181) 56 x 40 mm [2.20 x 1.57"], panel cut-out 50 x 25 mm [1.97 x 0.98"]
- Front bezel for clip mounting (T008180) 53 x 28 mm [2.09 x 1.10"], panel cut-out 50 x 25 mm [1.97 x 0.98"]

Accessories	Dimensions in mm [inch]	Order-No.
Adapter front bezel, 72 x 36 [2.83 x 1.42]	For cut-out 68 x 33 [2.68 x 1.30] to cut-out 45 x 22.2 [1.77 x 0.87], for counters 48 x 24 [1.89 x 0.94], as set black and silver anodised	162704 Set
Adapter front bezel, 48 x 48 [1.89 x 1.89]	For cut-out 45 x 45 [1.77 x 1.77] to cut-out 45 x 22.2 [1.77 x 0.87], with clip mounting for counters 48 x 24 [1.89 x 0.94] black	T008883
Adapter front bezel, 60 x 50 [2.36 x 1.97]	For cut-out 54 x 29 [2.13 x 1.14] to cut-out 45 x 22.2 [1.77 x 0.87], with screw mounting and gasket for counters 48 x 24 [1.89 x 0.94] black	N003001
Transparent cover, lockable, IP65	For cut-out 54 x 29 [2.13 x 1.14], for screw mounting to front bezel F1B or adapter front bezel N003001, for counters with cut-out 50 x 25 [1.97 x 0.98] or 45 x 22.2 [1.77 x 0.87]	N003002
Sealing cover type K1, IP65	Suitable for front bezel 60 x 50 [2.36 x 1.97], for screw mounting of electromech. counters and via adapter front bezel N003001 for counters 48 x 24 [1.89 x 0.94]	G008301
Mounting frame with cut-out 50 x 25 [2.36 x 1.97] via separate adapter also for 45 x 22.2 [1.77 x 0.87]	For snap-on mounting on 35 [1.38] top-hat DIN rail, for counters 53 x 28 [2.09 x 1.10] and via separate adapter (T008180) for counters 48 x 24 [1.89 x 0.94] chromated	G300004

Suitable gaskets as well as further accessories can be found in the accessories section or in the accessories area of our website at: www.kuebler.com/accessories.

1) Stock types

Process displays

LED process displays Analogue signals with Min/Max value detection (DC) Codix 529

Technical data

General technical data	
Display	5 digits, red 7 segment LED display; 8 mm [0.32"] high
Measuring rate	2 measurements/second
Data backup	EEPROM
Operating temperature	-10°C ... +50°C [+14°F ... +122°F] (non-condensing)

Electrical characteristics	
Power supply	10 ... 30 V DC, galvanically isolated with integrated reverse polarity protection
Current consumption	max. 50 mA
EMC	Emitted interference EN 55011 class B Immunity to interference EN 61000-6-2

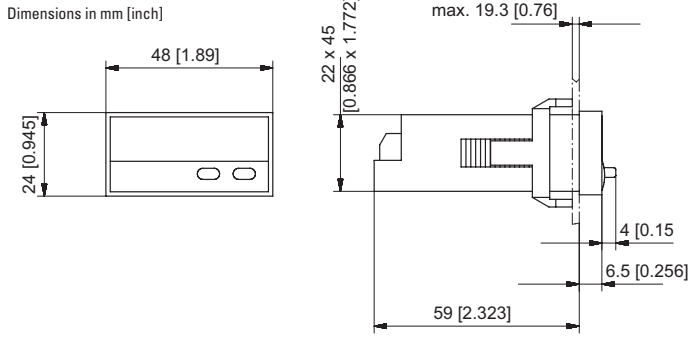
Mechanical characteristics	
Housing	front panel mount 48 x 24 mm [1.89 x 0.94"] acc. to DIN 43700; RAL 7021, dark grey
Protection	IP65 (front side)
Weight	approx. 50 g [1.76 oz]
Connections	screw terminal, pitch 5.08 mm [2"], 7 pin

Measuring signal inputs	
Input current measurement	0 ... 20 mA, 4 ... 20 mA
Voltage drop	max 1.5 V DC
Input voltage measurement	0 ... 10 V, 2 ... 10 V input resistance approx. 1 MΩ max. input signal level 30 V DC
Control inputs	HIGH 4 ... 30 V DC LOW 0 ... 2 V DC
Resolution	14 bit
Accuracy	< 0.1 % for the whole measuring range at an operating temperature of 20°C [68°F]
Temperature drift	< 70 ppm/K _{Ambient}

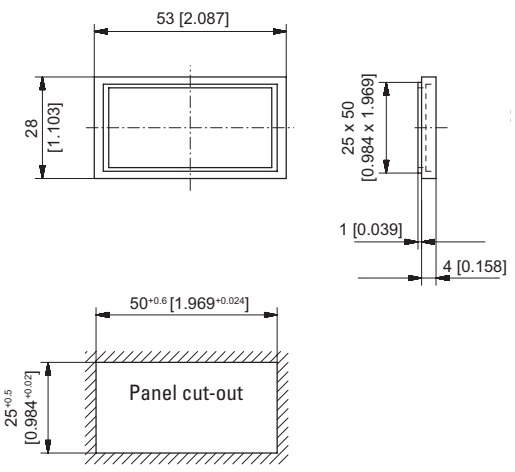
Terminal assignment

	PIN
1	10 ... 30 V DC
2	GND
3	GND
4	Latch
5	0 (4) ... 20 mA
6	Analogue GND
7	0 (2) ... 10 V DC

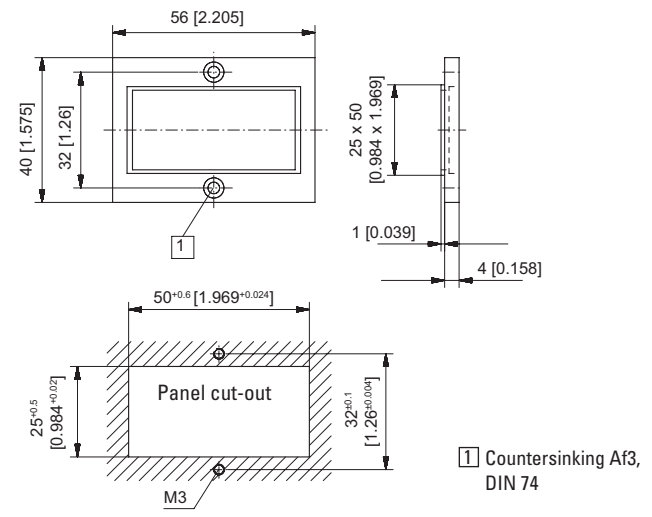
Dimensions



Front bezel for clip mounting (included in delivery)



Front bezel for screw mounting (included in delivery)



Process displays

LED process displays Analogue signals with totaliser function (DC) Codix 530



Cost-effective display for analogue input signals, for front panel mounting, with scalable bright 5-digit LED display.

The 14 bit resolution ensures an accurate measured value display range, with scalable time-controlled totalising of the measured value.



DC 10 ... 30 V Power supply	 mA, V Display scaling	 14 bit Resolution	 Prog Menu-driven programming	 AC/DC Galvanic isolation	 -10° +50° Temperature range	 IP65 High protection level	 Σ Totaliser function	 DIN 48 x 24 DIN front bezel	 5 LED LED display
--	------------------------------	--------------------------	-------------------------------------	---------------------------------	------------------------------------	-----------------------------------	-----------------------------	------------------------------------	--------------------------

Product features

- Input range: 1 current measuring input, 1 voltage measuring input
- Display range -19 999 ... 99 999 with leading zeros suppression
- Modern industrial design
- Programmable mains hum suppression

Benefits

- Compact display for analogue measured values and integration function (totaliser) with programmable factor
- Galvanic isolation with protection against incorrect polarity
- Programmable display hold input (MPI) or integration function (totaliser) reset input
- Freely programmable characteristic curve end points

Order specifications

Display for analogue signals with totaliser function

6.530.012.300 ¹⁾

Delivery specification

- Digital display
- Mounting clip
- Gasket
- Instruction manual, multilingual
- 1 set of self-adhesive symbols
- Front bezel for screw mounting (T008181) 56 x 40 mm [2.20 x 1.57"], panel cut-out 50 x 25 mm [1.97 x 0.98"]
- Front bezel for clip mounting (T008180) 53 x 28 mm [2.09 x 1.10"], panel cut-out 50 x 25 mm [1.97 x 0.98"]

Accessories	Dimensions in mm [inch]	Order-No.
Adapter front bezel, 72 x 36 [2.83 x 1.42]	For cut-out 68 x 33 [2.68 x 1.30] to cut-out 45 x 22.2 [1.77 x 0.87], for counters 48 x 24 [1.89 x 0.94], as set black and silver anodised	162704 Set
Adapter front bezel, 48 x 48 [1.89 x 1.89]	For cut-out 45 x 45 [1.77 x 1.77] to cut-out 45 x 22.2 [1.77 x 0.87], with clip mounting for counters 48 x 24 [1.89 x 0.94] black	T008883
Adapter front bezel, 60 x 50 [2.36 x 1.97]	For cut-out 54 x 29 [2.13 x 1.14] to cut-out 45 x 22.2 [1.77 x 0.87], with screw mounting and gasket for counters 48 x 24 [1.89 x 0.94] black	N003001
Transparent cover, lockable, IP65	For cut-out 54 x 29 [2.13 x 1.14], for screw mounting to front bezel F1B or adapter front bezel N003001, for counters with cut-out 50 x 25 [1.97 x 0.98] or 45 x 22.2 [1.77 x 0.87]	N003002
Sealing cover type K1, IP65	Suitable for front bezel 60 x 50 [2.36 x 1.97], for screw mounting of electromech. counters and via adapter front bezel N003001 for counters 48 x 24 [1.89 x 0.94]	G008301
Mounting frame with cut-out 50 x 25 [2.36 x 1.97] via separate adapter also for 45 x 22.2 [1.77 x 0.87]	For snap-on mounting on 35 [1.38] top-hat DIN rail, for counters 53 x 28 [2.09 x 1.10] and via separate adapter (T008180) for counters 48 x 24 [1.89 x 0.94] chromated	G300004

Suitable gaskets as well as further accessories can be found in the accessories section or in the accessories area of our website at: www.kuebler.com/accessories.

1) Stock types

Process displays

LED process displays Analogue signals with totaliser function (DC) Codix 530

Technical data

General technical data	
Display	5 digits, red 7 segment LED display; 8 mm [0.32"] high
Measuring rate	1 measurements/second
Data backup	EEPROM
Operating temperature	-10°C ... +50°C [+14°F ... +122°F] (non-condensing)

Electrical characteristics	
Power supply	10 ... 30 V DC, galvanically isolated with integrated reverse polarity protection
Current consumption	max. 50 mA
EMC	Emitted interference EN 55011 class B Immunity to interference EN 61000-6-2

Mechanical characteristics	
Housing	front panel mount 48 x 24 mm [1.89 x 0.94"] acc. to DIN 43700; RAL 7021, dark grey
Protection	IP65 (front side)
Weight	approx. 50 g [1.76 oz]
Connections	screw terminal, pitch 5.08 mm [2"], 7 pin

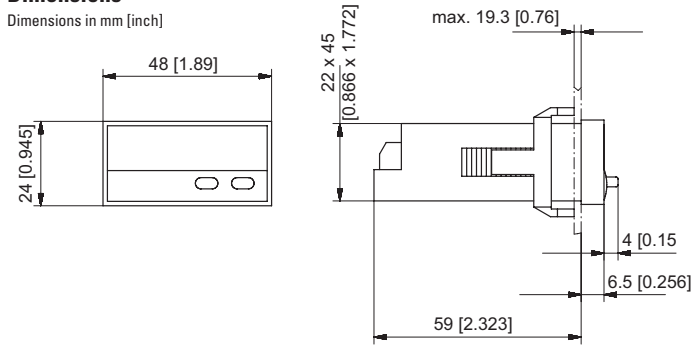
Input	
Input current measurement	0 ... 20 mA, 4 ... 20 mA
Voltage drop	max. 1.5 V DC
Input voltage measurement	0 ... 10 V, 2 ... 10 V
input resistance	approx. 1 MΩ
max. input signal level	30 V DC
Control inputs (Display hold or reset totaliser)	HIGH 4 ... 30 V DC LOW 0 ... 2 V DC
Resolution	14 bit
Accuracy	< 0.1 % for the whole measuring range at an operating temperature of 20°C [68°F]
Accuracy totaliser	50 ppm
Temperature drift	< 70 ppm/K _{Ambient}

Terminal assignment

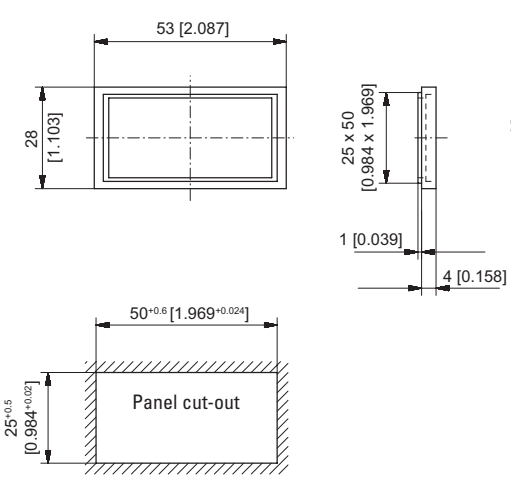
	PIN
1	10 ... 30 V DC
2	GND
3	GND
4	Latch
5	0 (4) ... 20 mA
6	Analogue GND
7	0 (2) ... 10 V DC

Dimensions

Dimensions in mm [inch]



Front bezel for clip mounting (included in delivery)



Front bezel for screw mounting (included in delivery)

