

Absolute encoders – singleturn

Standard electronic singleturn, optical	Sendix F5858 / F5878 (shaft / hollow shaft)	EtherNet/IP
--	--	--------------------



The Sendix F58 singleturn is a particularly high resolution optical encoder without gears and with 100 percent magnetic insensitivity.

16 bits total resolution, shaft up to 10 mm, blind hollow shaft up to 15 mm and certified EtherNet/IP functionality.



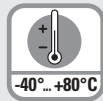
EtherNet/IP™



Safety-Lock™



High rotational speed



Temperature range
-40°... +80°C



High protection level
IP65



High shaft load capacity



Shock / vibration resistant



Magnetic field proof



Reverse polarity protection



Optical sensor

Up-to-the-minute EtherNet/IP functionality

- Fast, easy commissioning and configuration possible thanks to cyclic services.
- Low RPI time, of 1 ms minimum – makes the encoder suitable for time-critical applications up to an update frequency of 1000 Hz.
- Faster encoder start after applying the power – increases plant performance.

Reliable and insensitive

- Sturdy bearing construction in Safety-Lock™ Design for resistance against vibration and installation errors.
- Thanks to the implementation of DLR (Device Level Ring) a single cable break does not lead to plant stoppage.
- Wide temperature range, -40°C ... +80°C.

Absolute encoders singleturn

Order code	8.F5858	.XXAN	.A222
Shaft version	Type	a b c d	e
a Flange	1 = clamping flange, IP65 ø 58 mm [2.28"] 2 = synchro flange, IP65 ø 58 mm [2.28"] 5 = square flange, IP65 □ 63,5 mm [2.5"]	b Shaft (ø x L), with flat 1 = 6 x 10 mm [0.24 x 0.39"] 2 = 10 x 20 mm [0.39 x 0.79"] 3 = 1/4" x 7/8" 4 = 3/8" x 7/8"	c Interface / Power supply A = EtherNet IP / 10 ... 30 V DC
			d Type of connection N = 3 x axial M12 connector, 4-pin
			e Fieldbus profile A2= EtherNet/IP
			Optional on request - Ex 2/22

Order code	8.F5878	.XXAN	.A222
Hollow version	Type	a b c d	e
a Flange	1 = with spring element long, IP65 3 = with stator coupling, IP65 ø 65 mm [2.56"] 5 = with stator coupling, IP65 ø 63 mm [2.48"]	b Blind hollow shaft A = ø 10 mm [0.39"] B = ø 12 mm [0.47"] C = ø 14 mm [0.55"] D = ø 15 mm [0.59"] E = ø 3/8" F = ø 1/2"	c Interface / Power supply A = EtherNet IP / 10 ... 30 V DC
			d Type of connection N = 3 x axial M12 connector, 4-pin
			e Fieldbus profile A2= EtherNet/IP
			Optional on request - Ex 2/22

Absolute encoders – singleturn

Standard electronic singleturn, optical	Sendix F5858 / F5878 (shaft / hollow shaft)	EtherNet/IP
Mounting accessory for shaft encoders		Order no.
Coupling	bellows coupling ø 19 mm [0.75"] for shaft 6 mm [0.24"] bellows coupling ø 19 mm [0.75"] for shaft 10 mm [0.39"]	8.0000.1102.0606 8.0000.1102.1010
Mounting accessory for hollow shaft encoders		Order no.
Cylindrical pin, long for torque stops	with fixing thread 	8.0010.4700.0000
Connection technology		Order no.
Connector, self-assembly (straight)	coupling M12 for port 1 and port 2 connector M12 for power supply	05.WASCSY4S 05.B8141-0
Cordset, pre-assembled	M12 for port 1 and port 2, 2 m [6.56'] PUR cable M12 for power supply, 2 m [6.56'] PUR cable	05.00.6031.4411.002M 05.00.6061.6211.002M

Further accessories can be found in the accessories section or in the accessories area of our website at: www.kuebler.com/accessories.
Additional connectors can be found in the connection technology section or in the connection technology area of our website at: www.kuebler.com/connection_technology.

Technical data		
Mechanical characteristics		
Max. speed shaft version	IP65 up to 70°C	8000 min ⁻¹ , 6000 min ⁻¹ (continuous)
	IP65 up to T _{max}	6000 min ⁻¹ , 4000 min ⁻¹ (continuous)
Max. speed hollow shaft version	IP65 up to 70°C	6000 min ⁻¹ , 4000 min ⁻¹ (continuous)
	IP65 up to T _{max}	4000 min ⁻¹ , 3000 min ⁻¹ (continuous)
Starting torque at 20°C [68°F]		< 0.01 Nm
Moment of inertia	shaft version	3.0 x 10 ⁻⁶ kgm ²
	hollow shaft version	6.0 x 10 ⁻⁶ kgm ²
Load capacity of shaft	radial	80 N
	axial	40 N
Weight		approx. 0.45 kg
Protection acc. to EN 60529		IP65
Working temperature range		-40°C ... +80°C [-40°F ... +176°F]
Material	shaft/hollow shaft	stainless steel
	flange	aluminium
	housing	aluminium
Shock resistance acc. EN 60068-2-27		2500 m/s ² , 6 ms
Vibration resistance acc. EN 60068-2-6		100 m/s ² , 55 ... 2000 Hz
Electrical characteristics		
Power supply		10 ... 30 V DC
Power consumption (no load)		max. 250 mA
Reverse polarity protection of the power supply (+V)		yes
UL approval		File 224618
CE compliant acc. to		EMC guideline 2014/30/EU RoHS guideline 2011/65/EU
Interface characteristics EtherNet/IP		
Resolution		1 ... 65.536 (16 bit), scaleable default: 65.536 (16 bit)
Code		binary
Protocol		EtherNet/IP

Absolute encoders – singleturn

Standard electronic singleturn, optical	Sendix F5858 / F5878 (shaft / hollow shaft)	EtherNet/IP
--	--	--------------------

General information about EtherNet/IP

EtherNet/IP conformance tested acc. to version CT-12 of 11. Dez. 2014
 EtherNet/IP specification Vol 2, Ed 1.17
 CIP specification Vol 1, Ed 3.16

The following functionalities are integrated

Adjustable parameters

- Preset
- Count direction
- Resolution
- Unity of speed
- IP address
- Position
- Diagnosis
- Position limit
- Warning messages

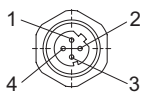
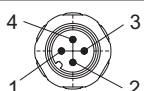
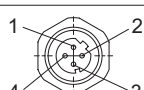
Objects (CIP Objects)

- Identity Object
- Message Router
- Assembly Object
- Connection Manager
- Parameter Object
- Position Sensor Object
- Qos Object
- Port Object
- TCP / IP Interface Object
- EtherNet Link Object

EtherNet/IP features

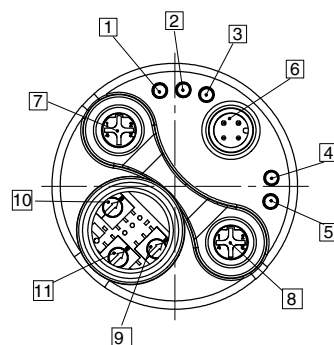
- DLR (Device Level Ring) possible
- Qos (Quality of Service) possible
- ACD (Address Conflict Detection)
- Multicast and unicast capability

Terminal assignment bus

Interface	Type of connection	Function	M12 connector, 4-pin					
A	N (3 x M12 connector)	Bus Port 1	Signal:	Transmit data+	Receive data+	Transmit data -	Receive data -	 D coded
			Abbreviation:	TxD+	RxD+	TxD-	RxD-	
			Pin:	1	2	3	4	
		Power supply	Signal:	Voltage +	-	Voltage -	-	
			Abbreviation:	+ V	-	0 V	-	
			Pin:	1	2	3	4	
		Bus Port 2	Signal:	Transmit data+	Receive data+	Transmit data -	Receive data -	 D coded
			Abbreviation:	TxD+	RxD+	TxD-	RxD-	
			Pin:	1	2	3	4	

Rear side connections and display elements

- 1 LED: Link 1
- 2 LED: Mod.
- 3 LED: Net.
- 4 LED: Encoder
- 5 LED: Link 2
- 6 Power
- 7 Port 1
- 8 Port 2
- 9 Switch: x1
- 10 Switch: x100
- 11 Switch: x10



Absolute encoders singleturn

Absolute encoders – singleturn

**Standard
electronic singleturn, optical**

Sendix F5858 / F5878 (shaft / hollow shaft)

EtherNet/IP

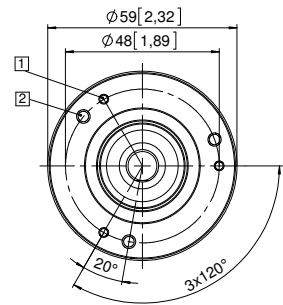
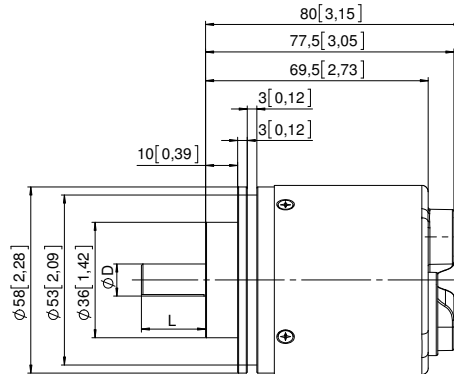
Dimensions shaft version

Dimensions in mm [inch]

Clamping flange, \varnothing 58 [2.28]

Flange type 1

- 1 3 x M3, 6 [0.24] deep
- 2 3 x M4, 8 [0.31] deep

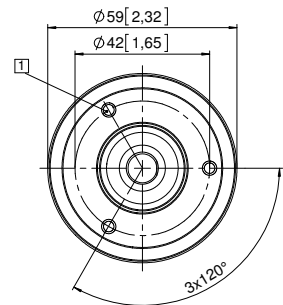
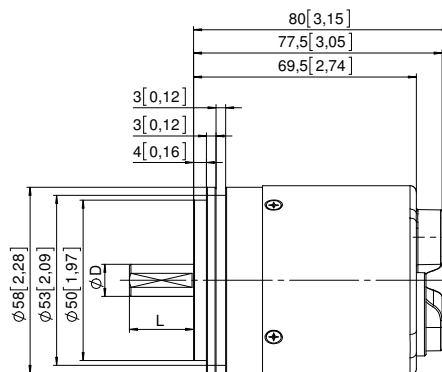


D	L	Fit
6 [0.24]	10 [0.39]	h7
10 [0.39]	20 [0.79]	f7
1/4"	7/8"	h7
3/8"	7/8"	h7

Synchro flange, \varnothing 58 [2.28]

Flange type 2

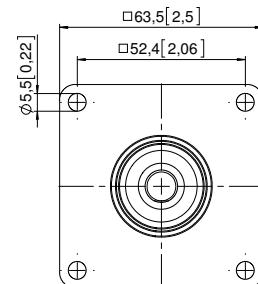
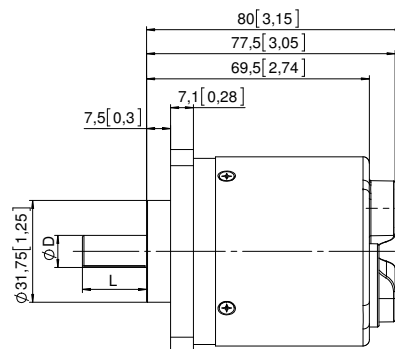
- 1 3 x M3, 6 [0.24] deep



D	L	Fit
6 [0.24]	10 [0.39]	h7
10 [0.39]	20 [0.79]	f7
1/4"	7/8"	h7
3/8"	7/8"	h7

Square flange, \square 63.5 [2.5]

Flange type 5



D	L	Fit
6 [0.24]	10 [0.39]	h7
10 [0.39]	20 [0.79]	f7
1/4"	7/8"	h7
3/8"	7/8"	h7

Absolute encoders – singleturn

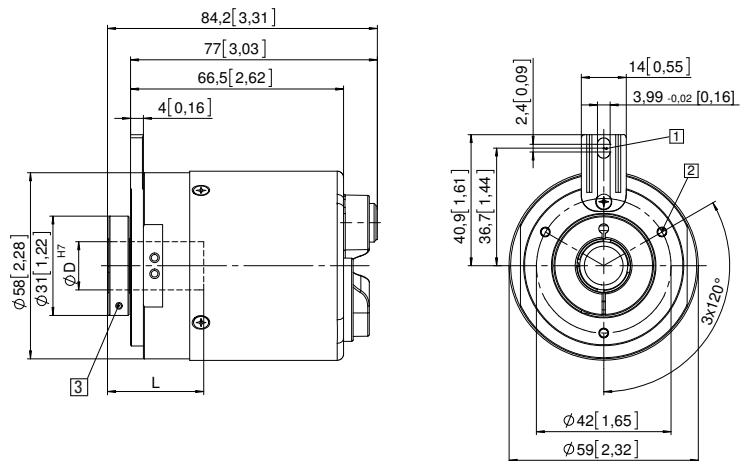
Standard electronic singleturn, optical	Sendix F5858 / F5878 (shaft / hollow shaft)	EtherNet/IP
--	--	--------------------

Dimensions hollow shaft version

Dimensions in mm [inch]

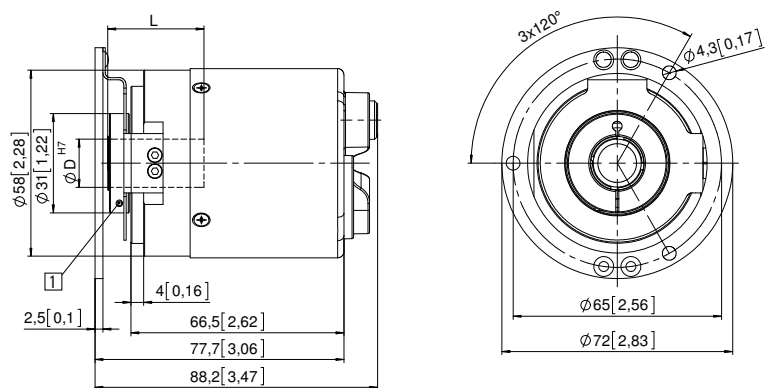
Flange with spring element, long Flange type 1

- 1 Torque stop slot, recommendation: cylindrical pin DIN 7, \varnothing 4 [0.16]
 - 2 3 x M3, 5.5 [0.21] deep
 - 3 Recommended torque for the clamping ring 0.6 Nm
- L: Insertion depth for blind hollow shaft: 30 [1.18]



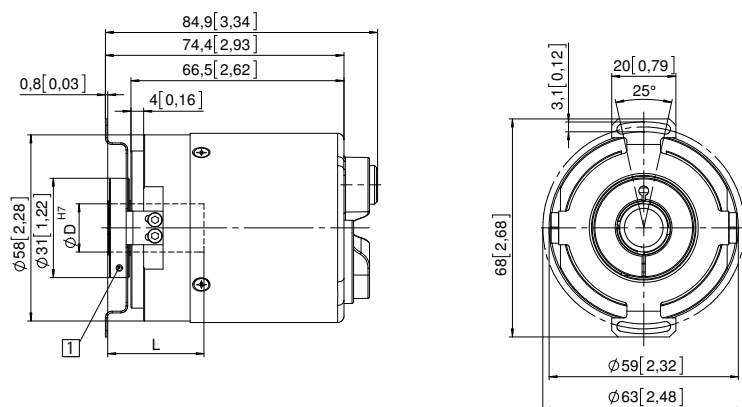
Flange with stator coupling, \varnothing 65 [2.56] Flange type 3

- 1 Recommended torque for the clamping ring 0.6 Nm
- L: Insertion depth for blind hollow shaft: 30 [1.18]



Flange with stator coupling, \varnothing 63 [2.48] Flange type 5

- 1 Recommended torque for the clamping ring 0.6 Nm
- L: Insertion depth for blind hollow shaft: 30 [1.18]



Absolute encoders
singleturn